

Your Global Automation Partner

**TURCK**

# Connectivity Part Number Key

## Connectivity Part Number Key Content

M12 Eurofast  
M12 Redesign  
M8 Picofast  
Minifast  
Industrial Ethernet  
DeviceNet Physical Media Connectivity  
PROFIBUS - DP,-PA Physical Media Connectivity  
Foundation Fieldbus  
Microfast  
M16 Versafast  
M23 Multifast  
M27 Multifast  
Minifast Process Automation  
M12 Process Automation  
A-Size 7/8" Powerfast Process Automation  
D-Size 1 3/8" Powerfast Process Automation  
Valve  
Deutsch  
A-Size 7/8" Powerfast  
C-Size Powerfast  
D-Size Powerfast  
M16 Powerfast  
M23 Powerfast  
M40 Powerfast

## M12 Eurofast

### M12 Eurofast Cordset Part Number Key

**M12 Eurofast Cordset**

R = straight  
W = right angle

**Gender**  
K = female connector  
S = male connector

**Plug Body Style**  
(blank) = standard plug body  
A = armored plug body, 18 AWG  
C = medium plug body  
CN = medium plug body, NAMUR wiring  
E = large plug body  
G = large, robust plug body  
L = compact plug body  
S = shielded to coupling nut

**Coupling Nut Options**  
(blank) = nickel plated brass  
V = stainless steel  
S = shielded to coupling nut  
K = nylon

**Number of Wires/AWG/Color Codes**  
4.2 = 2 wire BN, BU  
4.21 = 2 wire BN, BU, NAMUR  
4.22 = 2 wire BN, BU  
4.23 = 2 wire BN, BU  
4 = 3 wire BN, BU, BK  
4.4 = 4 wire BN, WH, BU, BK  
4.41 = 4 wire BN, WH, BU, BK, NAMUR  
4.43 = 4 wire BN, WH, BU, BK, yellow jacket  
4.5 = 5 wire BN, WH, BU, BK, GY  
4.6 = 6 wire BN, WH, BU, BK, GY, PK  
5 = 5 wire GN, WH, OG, BK, RD, NAMUR  
6 = 6 wire BN, WH, BU, BK, GY, PK  
8 = 8 wire WH, BN, GN, YE, GY, PK, BU, RD  
8.6 = 6 wire WH, GN, YE, GY, BN, BU  
8.8 = 8 wire WH, GN, YE, GY, BN, PK, BU, RD  
10 = 10 wire WH, BN, GN, YE, GY, PK, BU, RD, OG, TN  
12 = 12 wire WH, BN, GN, YE, GY, PK, BU, RD, OG, TN, VT  
AWG sizes depend on body style and "/S" variety

**Varieties**  
(blank) = PVC jacket  
/S90 = TPU jacket  
/S90-SP = TPU coil cord  
/S101 = Flexlife-20, high flex cable  
/S529 = yellow PUR jacket, braided shield, PVC inner jacket  
/S618 = foil shield & drain wire, drain not connected  
/S622 = grey PVC jacket, 18 AWG conductors  
/S653 = foil shield & drain wire, drain connected  
/S715 = yellow jacket  
/S824 = PLTC  
/S1092 = PTFE coated coupling nuts  
/S1587 = TPE, Weldlife  
/S1077 = silicone tubing  
/S = consult factory, special  
/CS = consult factory, special

**Insertion Point of Extension Cable and Second Prefix\***  
\* Female connector listed first, male connector second  
Example: RK 4T-4-WS-4T

**LED Options**  
(blank) = no LEDs  
P7X2 = 2 LEDs with sourcing (PNP) signal and power  
P7X3 = 3 LEDs with sourcing (PNP) signal and power  
N7X2 = 2 LEDs with shrinking (NPN) signal and power

**Length in Meters**  
(blank) = no barb fitting, L style only  
T = T barb fitting  
A = armored cable

### M12 Eurofast Receptacle Part Number Key

**M12 Eurofast Receptacle**

**Gender**  
K = female connector  
S = male connector

**Housing Style**  
(blank) = front mount  
D = front mount, front locknut  
FD = rear mount  
FDL = rear mount, solder cup  
M = front mount, rotating coupling nut  
P = back panel mount

**Keyway Type**  
(blank) = standard keyway  
W = reverse keyway

**Housing Material Keyway Type**  
(blank) = nickel plated brass  
V = stainless steel

**Varieties**  
/S613 .. = 18 AWG, standard color code  
/CS .. = consult factory, special  
/S.. = consult factory, special  
/S717 = assembled with jacketed cable

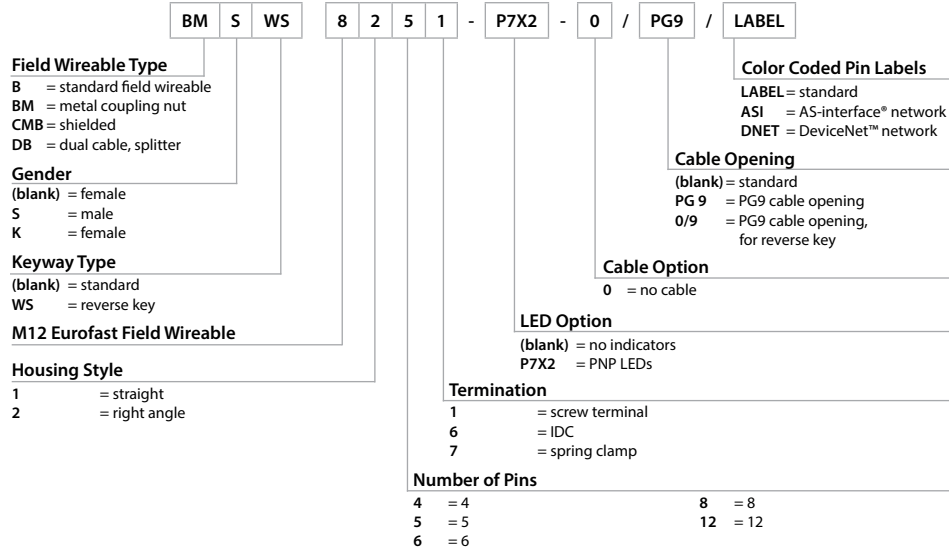
**Thread Type**  
(blank) = PG 9 threads or other, see specifications  
/13.5 = PG 13.5 threads  
/14.5 = 1/2-14 NPSM threads  
/14.5/NPT = 1/2-14 NPT threads  
M20 = M20x1 threads  
/PG16 = PG 16 threads

**Connection Type/Length in Meters**  
(blank) = no leads, either PCB pin or solder cup  
PCB = PCB pins

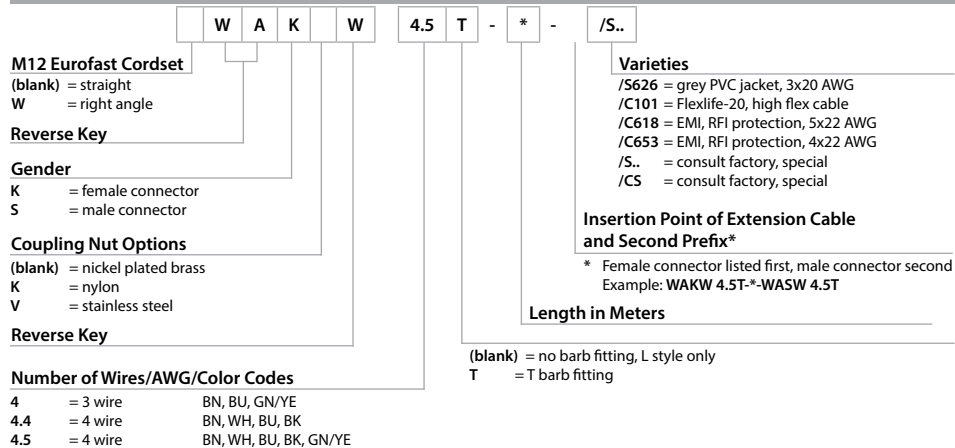
**Number of Wires/AWG/Color Codes**  
4.2 = 2 wire BN, BU  
4.21 = 2 wire BN, BU, NAMUR  
4.22 = 2 wire BN, BU  
4.23 = 2 wire BN, BU  
4 = 3 wire BN, BU, BK  
4.4 = 4 wire BN, WH, BU, BK  
4.41 = 4 wire BN, WH, BU, BK, NAMUR  
4.43 = 4 wire BN, WH, BU, BK, yellow jacket  
4.5 = 5 wire BN, WH, BU, BK, GY  
4.6 = 6 wire BN, WH, BU, BK, GY, PK  
5 = 5 wire GN, WH, OG, BK, RD, NAMUR  
6 = 6 wire BN, WH, BU, BK, GY, PK  
8 = 8 wire WH, BN, GN, YE, GY, PK, BU, RD  
8.6 = 6 wire WH, GN, YE, GY, BN, BU  
8.8 = 8 wire WH, GN, YE, GY, BN, PK, BU, RD  
10 = 10 wire WH, BN, GN, YE, GY, PK, BU, RD, OG, TN  
12 = 12 wire WH, BN, GN, YE, GY, PK, BU, RD, OG, TN, VT  
AWG sizes depend on body style and "/S" variety

## M12 Eurofast

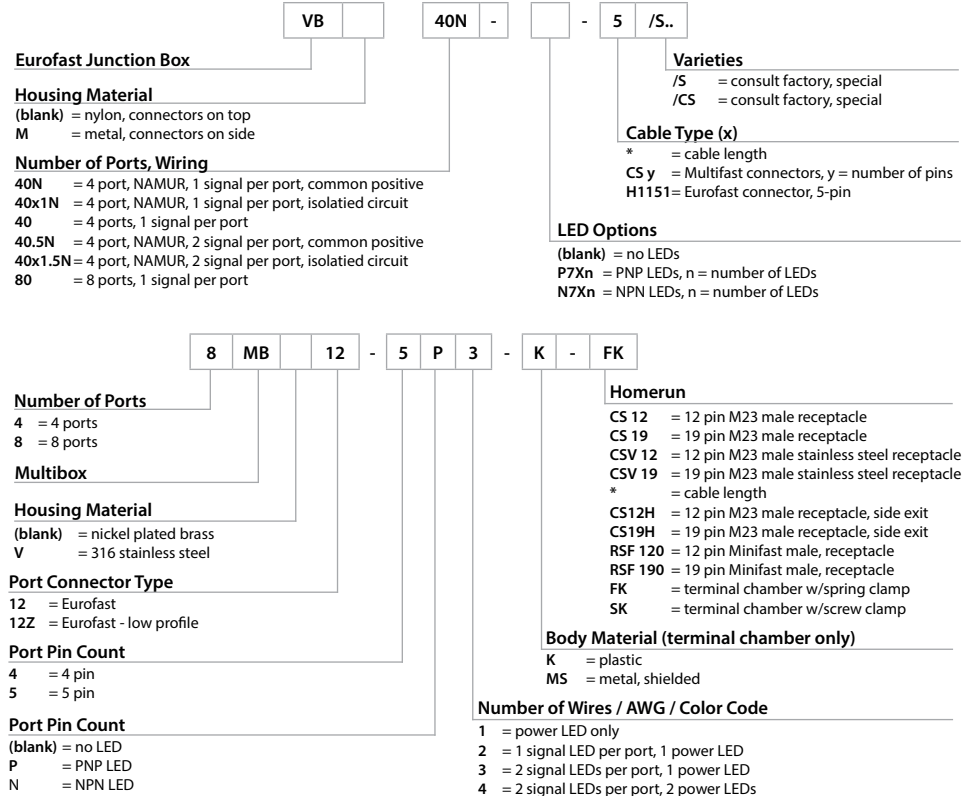
### M12 Eurofast Field Wireable Part Number Key



### M12 Eurofast Reverse Key (B-Code) Cordset Part Number Key



### M12 Eurofast Standard and Low Profile Junction Box Part Number Key



## M12 Redesign

### M12 Redesign Cordset Part Number Key

E S R T 001 - A4 . 4 00 - GC2K - 2

#### Family

E = Eurofast (M12)

#### Gender

K = female  
S = male

#### Plug Style

R = straight  
W = right angle

#### Coupling Nut Configuration

T = nickel plated brass, includes Torque Sleeve  
B = nickel plated brass, without Torque Sleeve  
L = stainless steel, includes Torque Sleeve  
V = stainless steel, without Torque Sleeve  
P = acetal plastic, without Torque Sleeve

#### Optional Customization

(blank) = no customization, black plug body and yellow Torque Sleeve (when included)  
001 = yellow plug body  
.. = consult factory for other options

#### Insertion Point of Extension Cable and Second Prefix\*

\*Female connector listed first, male connector second  
Example: EKRT-ESRT-A4.400-GC2K-1

Customization options are available for different colors, keyway rotations, and pinouts. Contact factory for details.

#### Length in Meters

nearest 0.1m  
max 4 characters

#### Cable Series

GC2K = black general purpose PVC jacket with 22 AWG conductors (standard)  
GC2Y = yellow general purpose PVC jacket with 22 AWG conductors  
GC8K = black general purpose PVC jacket with 18 AWG conductors  
GU24 = grey general purpose TPU jacket with 22 AWG conductors (S90)  
GU2K = black general purpose TPU jacket with 22 AWG conductors (S90, S760)  
GU2Y = yellow general purpose TPU jacket with 22 AWG conductors (S90)  
GU8K = black general purpose TPU jacket with 18 AWG conductors (S90)  
WA2Y = yellow aramid over Weldlife TPE jacket with 22 AWG conductors (S3415)  
WE2K = black Weldlife TPE jacket with 22 AWG conductors (S1587, S760)  
WE2Y = yellow Weldlife TPE jacket with 22 AWG conductors (S1587)  
WE8K = black Weldlife TPE jacket with 18 AWG conductors (S1587, S760)  
WE8Y = yellow Weldlife TPE jacket with 18 AWG conductors (S3060)  
DC24 = grey PVC cable with foil shield, drain wire and 22 AWG conductors (S653)  
FE24 = grey Flexlife 20 TPE jacket with 22 AWG conductors (S101)  
FE8Y = yellow Flexlife 20 TPE jacket with 18 AWG conductors (S101)  
HUA6 = orange halogen free TPU with 0.34mm<sup>2</sup> conductors (TXO3700)  
HUAK = black halogen free TPU with 0.34mm<sup>2</sup> conductor (TXL)

#### Pinout

00 = standard DC  
... = consult factory for other options

#### Number of Conductors

#### Keyway Coding and Pole Count

A4 = standard / A-code with 4 poles (up to 4 wires when center pin is not used)  
A5 = standard / A-code with 5 poles (up to 5 wires when center pin is used)  
B5 = reversed / B-code with 5 poles

### M12 Redesign Receptacle Part Number Key

E R S B G - A4 . 4 00 4 - \*

#### Family

E = Eurofast (M12)

#### Mounting Type

F = front mount receptacle  
R = rear mount receptacle

#### Gender

K = female  
S = male

#### Housing Material

B = nickel plated brass (standard)  
V = stainless steel

#### Mounting Thread

G = PG9  
H = 1/2-14 NPT  
Q = 1/4-18 NPT  
M = M16  
T = M20

#### Locknut

(blank) = included/installed, same material as housing  
0 = (zero) not included

#### Length in Meters

nearest 0.1 m  
max 4 characters

#### Wire Gauge

.2 = 22 AWG  
.8 = 18 AWG  
.4 = 24 AWG, non-standard  
.0 = 20 AWG, non-standard  
... =

#### Pinout

00 = standard DC  
... = consult factory for other options

#### Number of Conductors

#### Keyway Coding and Pole Count

A4 = standard / A-code with 4 poles (up to 4 wires when center pin is not used)  
A5 = standard / A-code with 5 poles (up to 5 wires when center pin is used)  
B5 = reversed / B-code with 5 poles

# M8 Picofast

### M8 Picofast Cordset Part Number Key

**P K G** **3 Z** - **P7X2 \*** /S..

**M8 Picofast Cordset**

**Gender**  
 K = female connector  
 S = male connector

**Configuration**  
 G = straight  
 W = right angle

**Plug Body Style**  
 (blank) = standard  
 C = medium plug body (22 AWG)

**Coupling Nut (Threaded coupling nut only)**  
 (blank) = nickel plated brass  
 V = Stainless steel  
 S = Shielded to coupling nut

**Number of Wires / AWG / Color Code**  
 3 = 3x24 AWG BN, BU, BK  
 4 = 4x26 AWG BN, BU, BK, WH  
 6 = 6x26 AWG BN, BU, BK, WH, GY, PK

**Locking Method**  
 (blank) = male snap lock (no locking sleeve)  
 Z = female snap lock (locking sleeve)  
 M = M8x1 threaded coupling nut  
 F = fixed thread (3-pin male only)

**Varieties**  
 (blank) = PVC jacket  
 /S90 = TPU jacket  
 /S90-SP = TPU coil cord  
 /S90/S101 = TPU jacket, Flexlife™-20, and C-Track  
 /S90/S618 = TPU jacket with foil shield and drain wire  
 /S760/S171 = PVC black jacket, black plug body  
 /S .. = consult factory, special  
 /CS .. = consult factory, special  
 /S1587 = TPE jacket, Weldlife

**Insertion point of Extension Cable and 2nd Prefix\***  
 • Female connector listed 1st, male connector 2nd  
 Example: **PKG 3M - 2 - PSG 3M**

**Length in Meters**

**LED Options**  
 (blank) = No LEDs  
 P7X2 = 2 LEDs with sourcing (PNP) signal and power  
 N7X2 = 2 LEDs with sinking (NPN) signal and power

### M8 Picofast Receptacle Part Number Key

**M F K S** **3 F** - \*

**M8 Picofast Receptacle**  
 M = straight  
 WM = right angle (PCB pins)

**Designator for Receptacle**

**Gender**  
 K = female connector  
 S = male connector

**Connection Type**  
 (blank) = snap lock  
 S = threaded  
 SH = threaded and mounting bracket  
 SHL = threaded and long mounting bracket

**Connection Type / Length in Meters**  
 PCB = PCB pins  
 PCBF = PCB pins  
 S717 = assembled with jacketed cable

**Mounting Style**  
 (blank) = front mount (rear thread and locknut)  
 F = rear mount (front thread and locknut)

**Number of Wires / AWG / Color Code**  
 3 = 3x24 AWG BN, BU, BK  
 4 = 4x26 AWG BN, BU, BK, WH  
 6 = 6x26 AWG BN, BU, BK, WH, GY, PK

### Field Wireable Part Number Key

**B S** **S 1 3 1** - **0**

**Field Wireable Type**  
 B = standard field wireable

**Gender**  
 (blank) = female connector  
 S = male connector

**M8 Picofast Field Wireable**

**Housing Style**  
 1 = straight  
 2 = right angle

**Cable Option**  
 0 = no cable

**Termination**  
 1 = threaded connector  
 2 = snap lock  
 3 = threaded with screw terminal  
 6 = IDC

**Number of Pins**  
 3 = 3  
 4 = 4

### Junction Box Part Number Key

**TB** - **8 M8 M** - **3 P2** - **FS8** /

**Picofast Junction Box**

**Number of Ports**  
 4 = 4-Port  
 8 = 8-Port

**Port connectors**  
 M8 = M8 Picofast

**Port Connection Type**  
 M = M8x1 thread  
 Z = M8 Snap

**Special Modifiers, /S & /CS**

**Homerun Connector**  
 FS8 = 8-pin M12  
 FS12 = 12-pin M12  
 \* = cable length in meters

**Port LED Type**  
 (blank) = no LEDs  
 P2 = PNP LEDs (3-pin only)  
 N2 = NPN LEDs (3-pin ports only)

**Port Type**  
 3 = 3-pin ports, 1 signal per port  
 4 = 4-pin ports, 2 signal per port

## Minifast

### 7/8", 1" & 1 1/8" Minifast Cordset Part Number Key

**7/8", 1" & 1 1/8" Minifast Cordset**

R = straight  
W = right angle

**Gender**  
K = female connector  
S = male connector  
Y = male connector, female threads

**Coupling Nut Material**  
(blank) = nylon  
M = nickel plated brass  
V = stainless steel (hex on 1", 1 1/8" and knurl on 7/8")  
VH = stainless steel (hex on 7/8")

**Insertion point of Extension Cable and 2nd Prefix\***

- Male connector listed 1st, female connector 2nd
- Example: RSM RKM 40-2M

**Number of Wires / AWG / Color Codes**

|                                     |   |   |
|-------------------------------------|---|---|
| 20 = 2x18 AWG BN, BU                | 55 = 5x16 AWG RD/WH, RD/BU, GN/YE, RD/OG, RD/BK       | 106 = 10x16 AWG OG, BU, WH/BK, RD/BK, GN/BK, OG/BK, RD, GN/YE, BK, WH   |
| 26 = 2x16 AWG WH, BK                | 56 = 5x16 AWG WH, RD, GN/YE, OG, BK                   | 126 = 12x16 AWG OG, BU, WH/BK, RD/BK, GN/BK, OG/BK, BU/BK, BK/WH, GN/YE, RD, WH, BK   |
| 28A = 2x18 AWG WH, BK               | 58A = 5x18 AWG WH, RD, GN/YE, OG, BK                  | 190 = 3x18, 16X22 AWG VT, RD, GY, RD/BU, BU, GN, BN, WH/GN, WH/YE, WH/GY, BK, GN/YE, YE/BN, BN/GN, WH, YE, PK, GY/BN, GY/PK |
| 30 = 3x18 AWG GN/YE, BN, BU         | 511 = 5x18 AWG RD/WH, RD/BU, GN/YE, RD/OG, RD/BK      | ___A Metal Clad Cable (18 AWG straight only)  |
| 31 = 3x18 AWG BK, BN, BU            | 61 = 6x18 AWG GN, WH, BU, GY, YE, BN                  | ___D Smooth Plug Body (16 AWG straight only)  |
| 35 = 3x16 AWG GN/YE, RD/BK, RD/WH   | 66 = 6x16 AWG WH, RD, GN/YE, OG, BK, BU               |   |
| 36 = 3x16 AWG GN/YE, BK, WH         | 68A = 6x18 AWG WH, RD, GN/YE, OG, BK, BU              |   |
| 38A = 3x18 AWG GN/YE, BK, WH        | 686 = 6x16 AWG OG, BU, BK, WH, RD, GN/YE              |   |
| 311 = 3x18 AWG GN/YE, RD/BK, RD/WH  | 76 = 7x16 AWG WH/BK, BK, WH, RD, OG, BU, GN/YE        |   |
| 40 = 4x18 AWG BN, WH, BU, BK        | 86 = 8x16 AWG OG, BU, WH/BK, BK, WH, RD, GN/YE, RD/BK |   |
| 46 = 4x16 AWG BK, WH, RD, GN/YE     | 96 = 9x16 AWG OG, BU, RD/BK, GN/BK,                   |   |
| 47 = 4x16 AWG BN, WH, BU, BK        |   |   |
| 48A = 4x18 AWG BK, WH, RD, GN/YE    |   |   |
| 461 = 4x16 AWG BN, WH, BU, GN/YE    |   |   |
| 50 = 5x18 AWG BK, BU, GN/YE, BN, WH |   |   |

**Varieties**  
(blank) = PVC jacket  
/S90 = TPU jacket  
/S90-SP = TPU coil cord  
/S101 = Flexlife ®-20, and C-Track high flex cable  
/S600 = CPE, rubber jacket  
/S1077 = silicone tubing  
/S1587 = TPE, Weldlife ®  
/S3059 = TPE, Weldlife ®, automotive  
/S.. = consult factory, special  
/CS.. = consult factory, special

**Length in Meters**

### 7/8", 1" & 1 1/8" Minifast Receptacle Part Number Key

**7/8", 1" & 1 1/8" Minifast Receptacle**

R = straight  
K = female connector, female threads  
F = male connector, male threads  
V = male connector, female threads

**Gender**  
K = female connector, female threads  
S = male connector, male threads  
Y = male connector, female threads  
X = female connector, male threads

**Designator for Receptacle**

**Mounting Style**  
(blank) = front mount  
P = back panel mount  
L = solder cup  
F = flange mount

**Housing Material**  
(blank) = nickel plated brass  
K = nylon  
V = stainless steel

**Number of Wires / AWG / Color Codes**

|   |   |   |
|---|---|---|
| 20 = 2x18 AWG BN, BU                            | 56 = 5x16 AWG WH, RD, GN/YE, OG, BK                   | 106 = 10x16 AWG OG, BU, WH/BK, RD/BK, GN/YE, BK, WH   |
| 26 = 2x16 AWG WH, BK                            | 58 = 5x18 AWG WH, RD, GN/YE, OG, BK                   | 126 = 12x16 AWG OG, BU, WH/BK, RD/BK, GN/BK, OG/BK, BU/BK, BK/WH, GN/YE, RD, WH, BK   |
| 28 = 2x18 AWG WH, BK                            | 511 = 5x18 AWG RD/WH, RD/BU, GN/YE, RD/OG, RD/BK      | 190 = 3x18, 16X22 AWG VT, RD, GY, RD/BU, BU, GN, BN, WH/GN, WH/YE, WH/GY, BK, GN/YE, YE/BN, BN/GN, WH, YE, PK, GY/BN, GY/PK |
| 30 = 3x18 AWG GN/YE, BN, BU                     | 61 = 6x18 AWG GN, WH, BU, GY, YE, BN                  | ___A Metal Clad Cable (18 AWG straight only)  |
| 31 = 3x18 AWG BK, BN, BU                        | 66 = 6x16 AWG WH, RD, GN/YE, OG, BK, BU               | ___D Smooth Plug Body (16 AWG straight only)  |
| 35 = 3x16 AWG GN/YE, RD/BK, RD/WH               | 68 = 6x18 AWG WH, RD, GN, OG, BK, BU                  |   |
| 36 = 3x16 AWG GN/YE, BK, WH                     | 686 = 6x16 AWG OG, BU, BK, WH, RD, GN/YE              |   |
| 38 = 3x18 AWG GN/YE, BK, WH                     | 76 = 7x16 AWG WH/BK, BK, WH, RD, OG, BU, GN/YE        |   |
| 311 = 3x18 AWG GN/YE, RD/BK, RD/WH              | 86 = 8x16 AWG OG, BU, WH/BK, BK, WH, RD, GN/YE, RD/BK |   |
| 40 = 4x18 AWG BN, WH, BU, BK                    | 96 = 9x16 AWG OG, BU, RD/BK, GN/BK,                   |   |
| 46 = 4x16 AWG BK, WH, RD, GN/YE                 |   |   |
| 47 = 4x16 AWG BN, WH, BU, BK                    |   |   |
| 48 = 4x18 AWG BK, WH, RD, GN/YE                 |   |   |
| 461 = 4x16 AWG BN, WH, BU, GN/YE                |   |   |
| 50 = 5x18 AWG BK, BU, GN/YE, BN, WH             |   |   |
| 55 = 5x16 AWG RD/WH, RD/BU, GN/YE, RD/OG, RD/BK |   |   |

**Varieties**  
S717 = assembled with jacketed cable  
/S849 = 22AWG  
/S.. = consult factory, special  
/CS.. = consult factory, special  
W/LN = with lock nut

**Connection Thread**  
(blank) = 1/2-14 NPSM threads  
/NPT = 1/2-14 NPT threads  
/14.5/NPT = 1/2-14 NPT threads (1" & 1 1/8")  
/14.75/NPT = 3/4-14 NPT threads  
/M20 = /M20x1.5 threads

**Connection Type / Length in Meters**  
(blank) = solder cup  
PCB = PCB pins

### Field Wireable Part Number Key

**Field Wireable Type**  
B = standard field wireable

**Gender**  
(blank) = female  
S = male

**Coupling Nut Material**  
(blank) = nickel  
V = stainless steel

**Minifast Style**  
4 = 7/8"  
7 = 1" or 1 1/8"

**Housing Style**  
1 = straight  
2 = right angle

**Cable Opening**  
9 = PG 9 cable opening (6-8mm cable)  
13.5 = PG 13.5 cable opening (10-12mm cable)  
16 = PG 16 cable opening (12-14mm cable)  
21 = PG 12 cable opening (9-16mm cable)

**Cable Option**  
0 = no cable

**Termination**  
1 = standard

**Number of Pins**

|         |         |
|---------|---------|
| 3 = 3   | 7 = 7   |
| 4 = 4   | 8 = 8   |
| 5 = 5   | 9 = 9   |
| 6 = 6   | 10 = 10 |
| 6B6 = 6 | 12 = 12 |

### Junction Box Part Number Key

**Number of Ports**  
4  
6  
8

**Type of Connector / Threads**  
RKF = Minifast, female contact holder, female threads  
RXF = Minifast, female contact holder, male threads  
MBMA = Minifast overmolded junction box

**Receptacle Housing Material**  
(blank) = nickel plated brass  
V = stainless steel

**Number of Ports, Wiring**  
30 = 3-pin, standard wiring  
301 = 3-pin, series wiring  
40 = 4-pin, standard wiring

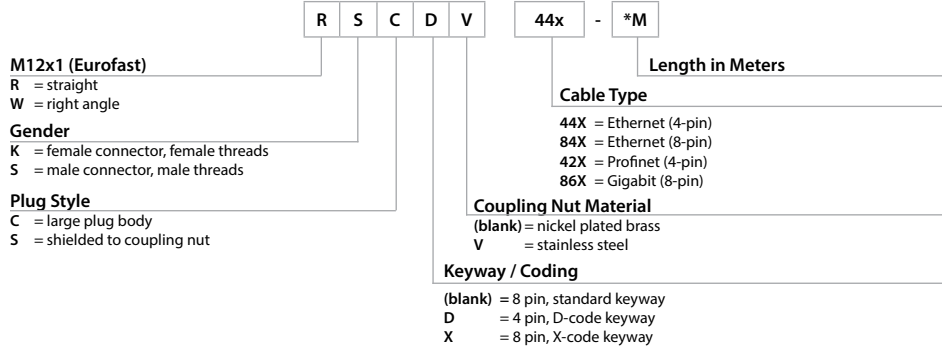
**Varieties**  
/S.. = consult factory, customer special  
/CS.. = consult factory, customer special

**Cable Type (x)**  
\*M = length of integral home run cable in meters  
CS12 = Multifast connector, 12-pin (only overmolded option)  
B1131 = Minifast connector, 3-pin  
B1161 = Minifast connector, 6-pin  
RSF70 = Minifast connector, 7-pin  
RSF80 = Minifast connector, 8-pin  
RSF100 = Minifast connector, 10-pin  
RSF120 = Minifast connector, 12-pin

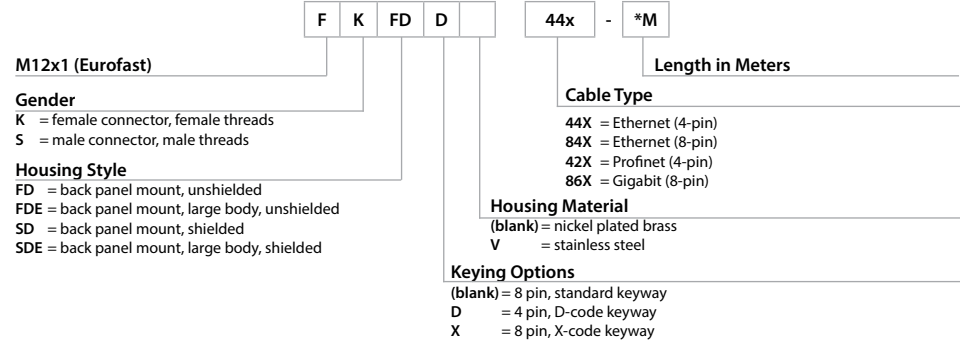
**LED Options**  
(Blank) = No LEDs  
Xn = LEDs, n = Number of LEDs

# Industrial Ethernet

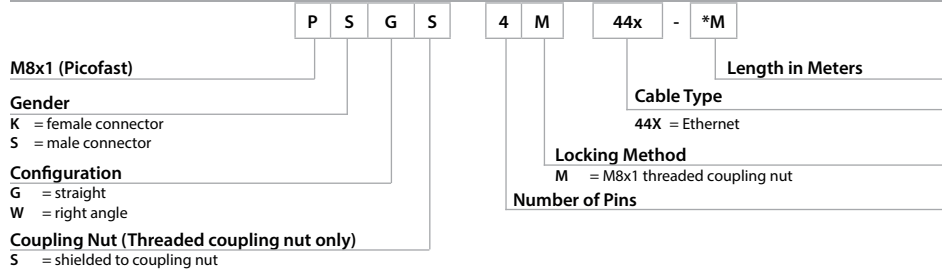
## Eurofast Cordset Part Number Key



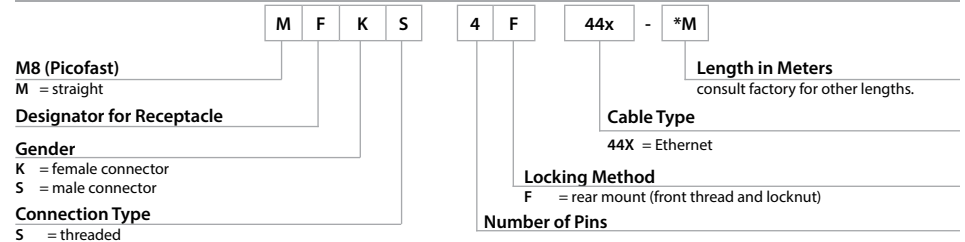
## Eurofast Receptacle Part Number Key



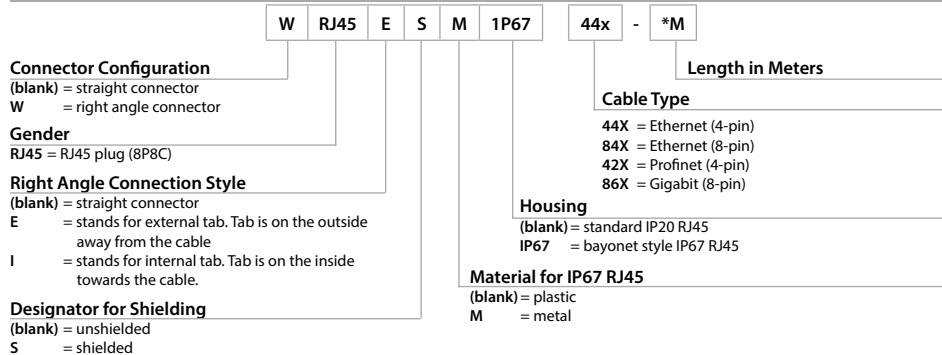
## Picofast Cordset Part Number Key



## Picofast Receptacle Part Number Key



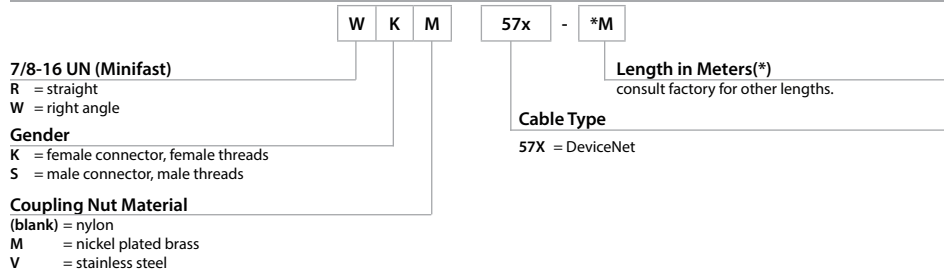
## RJ45 Network Cordsets Part Number Key



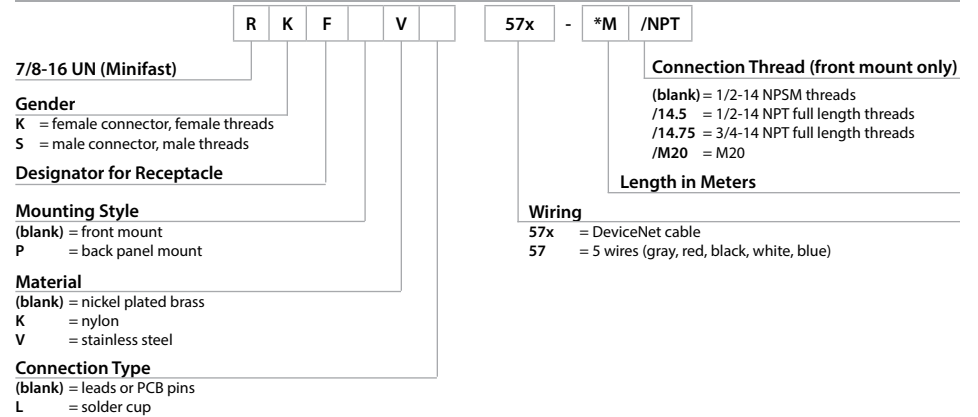


# DeviceNet Physical Media Connectivity

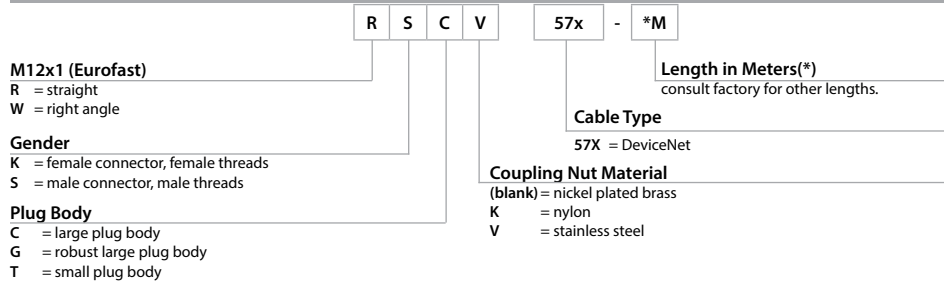
## Minifast Cordset Part Number Key



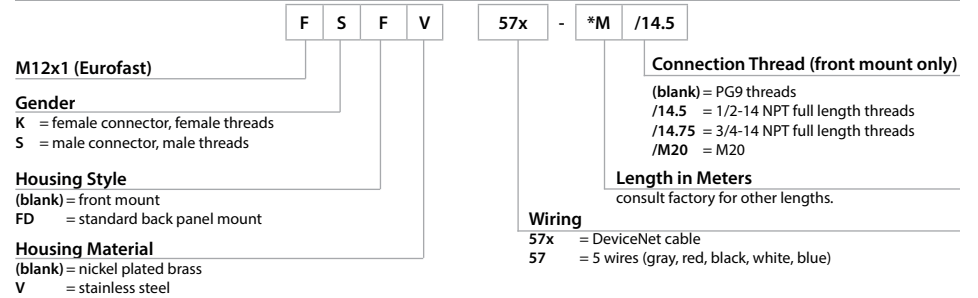
## Minifast Receptacle Part Number Key



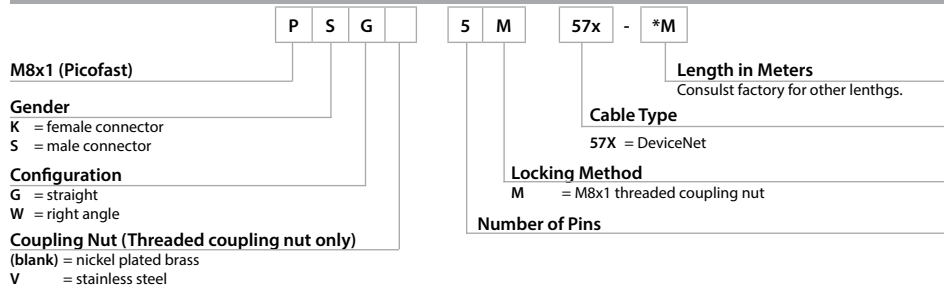
## Eurofast Cordset Part Number Key



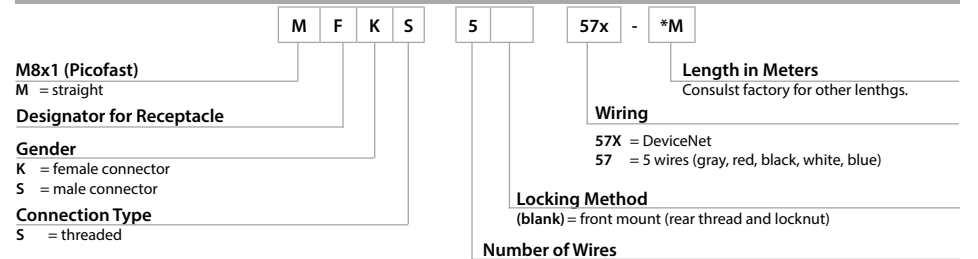
## Eurofast Receptacle Part Number Key



## Picofast Part Number Key

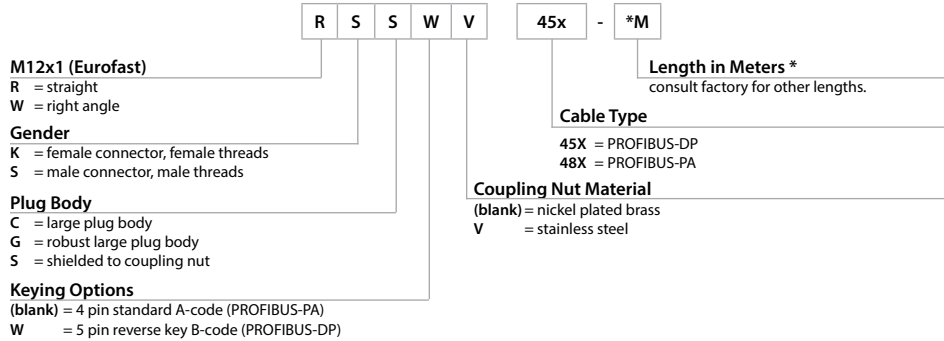


## M8 Picofast Receptacle Part Number Key

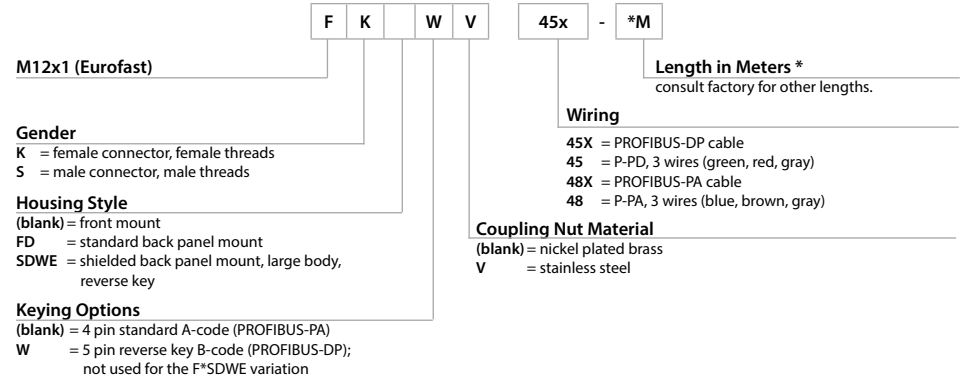


# PROFIBUS - DP, -PA Physical Media Connectivity

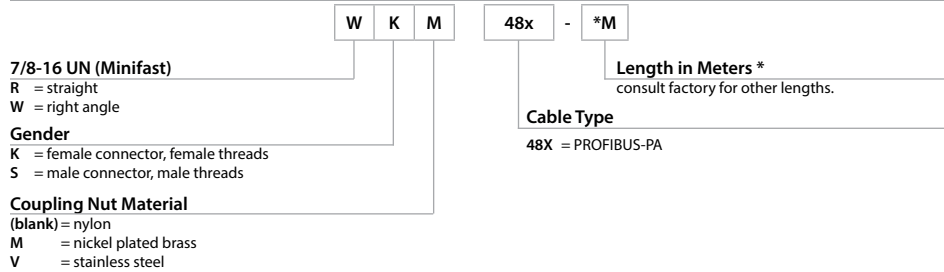
## Eurofast Cordset Part Number Key



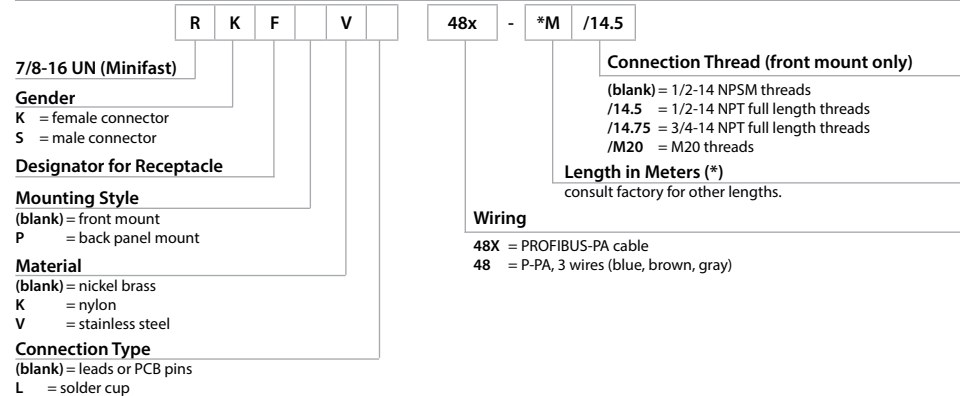
## Eurofast Receptacle Part Number Key



## Minifast Cordset Part Number Key

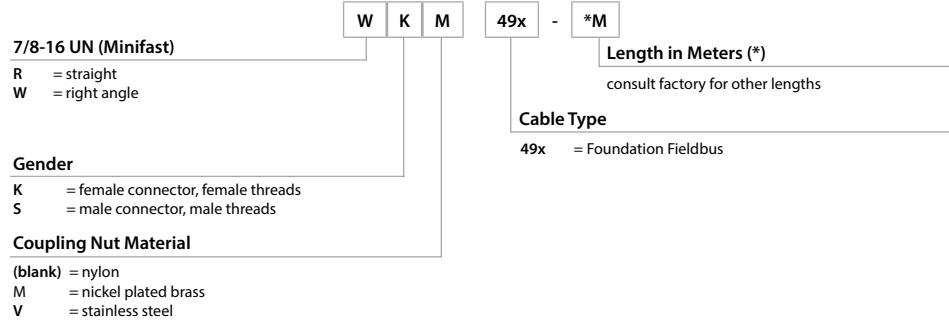


## Minifast Receptacle Part Number Key

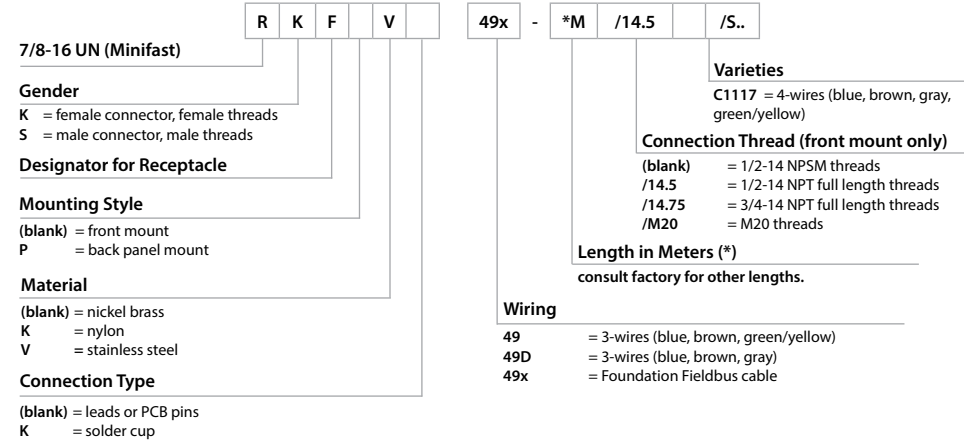


## Foundation Fieldbus

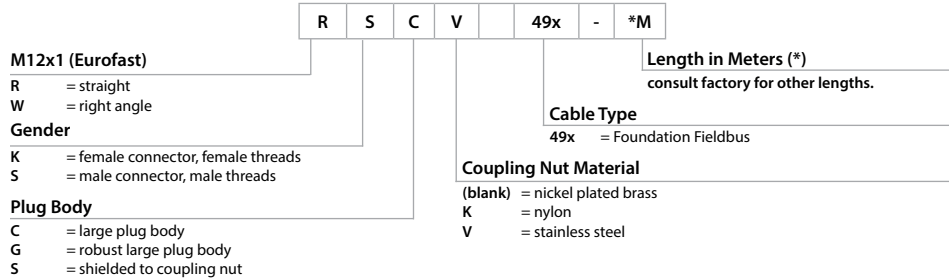
### Minifast Cordset Part Number Key



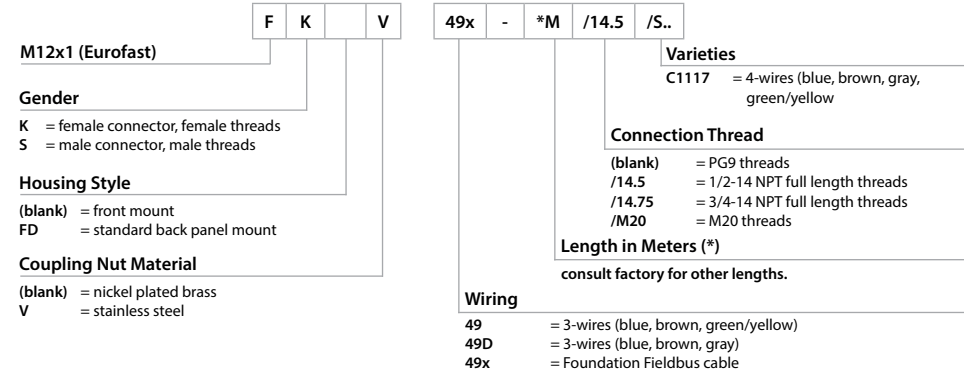
### Minifast Receptacle Part Number Key



### Eurofast Cordset Part Number Key



### Eurofast Receptacle Part Number Key



## Microfast

### 1/2" Microfast Cordset Part Number Key

**1/2" Microfast Cordset**

KB = straight female connector  
 WKB = right angle female connector  
 SB = straight male connector  
 WSB = right angle male connector

**Body Style**  
 (blank) = standard plug body, 22 AWG  
 E = large plug body, 18 AWG

**Coupling Nut Material**  
 (blank) = nylon  
 V = stainless steel  
 K = nylon

**Number of Wires / AWG / Color Codes**

2 = BN, BU  
 3 = GN/YE, RD/BK, RD/WH  
 4 = RD/BK, RD/WH, RD, GN/YE  
 5 = RD/WH, RD, GN/YE, RD/YE, RD/BK  
 6 = RD/WH, RD, GN/YE, RD/YE, RD/BK, RD/BU

**Part Number Key:** WKB | V | 3 | T | - | \* | /S..

**Varieties**  
 (blank) = PVC jacket  
 /S90 = TPU jacket  
 /S90-SP = TPU coil cord  
 /S105 = PVC jacket, mechanical shield (braided)  
 /S1587 = TPE, Weldlife  
 /S .. = consult factory, special  
 /CS .. = consult factory, special

**Length in Meters**

**Plug Options**  
 T = T barb fitting

### 1/2" Microfast Receptacle Part Number Key

**1/2" Microfast Receptacle**

**Gender**  
 K = female connector, female threads  
 S = male connector, male threads

**Designator for Receptacle**

**Mounting Style**  
 (blank) = front mount  
 P = back panel mount

**Material**  
 (blank) = nickel plated brass  
 V = stainless steel

**Number of Wires / AWG / Color Codes**

2 = BN, BU  
 3 = GN/YE, RD/BK, RD/WH  
 4 = RD/BK, RD/WH, RD, GN/YE  
 5 = RD/WH, RD, GN/YE, RD/YE, RD/BK  
 6 = RD/WH, RD, GN/YE, RD/YE, RD/BK, RD/BU

**Part Number Key:** F | K | B | V | 4 | - | \* | /18.25 | /S..

**Varieties**  
 /S690 = 18 AWG  
 /S717 = assembled with jacketed cable  
 /S .. = consult factory, special  
 /CS .. = consult factory, special

**Mounting Threads**  
 18.25 = 1/4-18 NPT  
 14.5 = 1/2-14 NPSM  
 14.5/NPT = 1/2-14 NPT  
 M20 = m20x1.5 threads

**Length in Meters**

### Field Wireable Part Number Key

**Field Wireable Type**  
 MF = standard field wireable

**Gender**  
 (blank) = female  
 S = male

**1/2 Microfast Field Wireable**

**Part Number Key:** MF | S | 3 | 2 | 3 | 1 | - | 0

**Cable Opening**  
 0 = no cable

**Termination**  
 1 = standard

**Number of Pins**  
 3 = 3

**Housing Style**  
 1 = straight  
 2 = right angle

### Junction Box Part Number Key

**Microfast Junction Box**

**Number of Ports, Wiring**  
 40 = 4 port, 1 signal per port  
 60 = 6 port, 1 signal per port  
 80 = 8 port, 1 signal per port

**Part Number Key:** VBKB | 40 | - | X5 | - | CS12 | /S..

**Varieties**  
 /S.. = consult factory, customer special  
 /CS.. = consult factory, customer special

**Cable Type (x)**  
 (numbers) = length of integral home run cable in meters  
 CS12 = Multifast connector, 12-pin  
 B1161 = Minifast connector, 6-pin

**LED Options**  
 (blank) = No LEDs  
 Xn = LEDs, n = Number of LEDs

## M16 Versafast

### M16 Versafast Cordset Part Number Key

B S M [ ] 12 - 999 - \* /S..

#### M16 versafast Cordset

##### Gender

K = female connector  
S = male connector

##### Configuration

(blank) = assembled connector  
M = straight molded  
WM = right angle molded

##### Housing Material

(blank) = nickel plated brass  
K = nylon  
V = stainless steel

##### Insertion point of Extension Cable and 2nd Prefix\*

\* Male connector listed 1st, female connector 2nd  
Example: BSM BKM 12-001 - 1

##### Number of Pins

5 = 5 12 = 12  
6 = 6 14 = 14  
7 = 7 19 = 19  
8 = 8

##### Number of Wires / AWG / Color Codes

**5-Pin**  
084 = 5x18 AWG BN, BU, WH, BU, BK, GY

**6-Pin**  
085 = 6x18 AWG BN, BU, WH, BU, BK, GY, PK

**7-Pin**  
086 = 7x18 AWG WH, BN, GN, YE, GY, PK, BU

**8-Pin**  
087 = 8x18 AWG WH, BN, GN, YE, GY, PK, BU, RD

**12-Pin**  
967 = 12x22 AWG BN, BU, WH, GN, YE, GY, PK, RD, BK, OG, TN, VT / PVC jacket

**14-Pin**  
000 = 14x22 AWG (same color code as 998) / TPE jacket

**19-Pin**  
998 = 14x22 AWG BN, RD/BU, BK, PK, GN, BU, OG, GY/BN, VT, WH, RD, GY, YE, TN / PVC jacket

**002** = 14x22 AWG (same color code as 998) / TPU jacket

**000** = 14x22 AWG (same color code as 998) / TPE jacket

##### Varieties

(blank) = PVC jacket  
/S90 = TPU jacket  
/S101 = Flexlife <sup>®</sup>-20 and C-Track high flex cable  
/CS.. = consult factory, special  
/S.. = consult factory, special

##### Length in Meters

### M16 Versafast Receptacle Part Number Key

B K F D [ ] 14 - 12 - \* /14.5/NPT /S..

#### M16 versafast Receptacle

##### Gender

K = female receptacle  
S = male receptacle

##### Designator for Receptacle

(blank) = front mount  
D = rear mount

##### Housing Material

(blank) = nickel plated brass  
V = stainless steel

##### Number of Pin

5 = 5 12 = 12  
6 = 6 14 = 14  
7 = 7 19 = 19  
8 = 8

##### Varieties

/S.. = consult factory, special  
/CS.. = consult factory, special

##### Thread Type

/14.5/NPT = 1/2-14NPT threads  
/18.375/NPT = 3/8-18NPT threads  
/M20 = M20 threads  
/M18 = M18 threads

##### Length in Meters

##### Number of Wires / AWG / Color Codes

5 = 5x18 AWG BN, BU, WH, BU, BK, GY  
6 = 6x18 AWG BN, BU, WH, BU, BK, GY, PK  
7 = 7x18 AWG WH, BN, GN, YE, GY, PK, BU  
8 = 8x18 AWG WH, BN, GN, YE, GY, PK, BU, RD  
12 = 12x22 AWG BN, BU, WH, GN, YE, GY, PK, RD, BK, OG, TN, VT  
14 = 14x22 AWG BN, RD/BU, BK, PK, GN, BU, OG, GY/BN, VT, WH, RD, GY, YE, TN  
19 = 9x22 AWG BN, GY/PK, RD/BU, WH/GN, BK, BN/GN, PK, WH/YE, GN, YE/BN, BU, OG, GY/BN, VT, WH, RD, GY, YE, TN

PCB = PCB Pins

### Field Wireable Part Number Key

B S [ ] 12 - 0

#### Configuration

(blank) = straight  
W = right angle

#### M16 Versafast Field Wireable

##### Gender

K = female receptacle  
S = male receptacle

##### Shielding

S = shielded to coupling nut

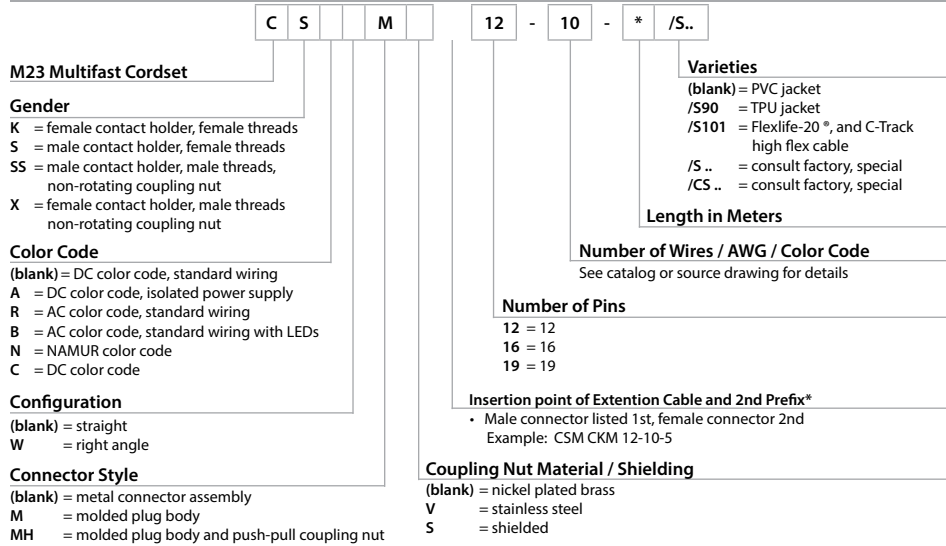
#### Field Wireable Designation

##### Number of Pins

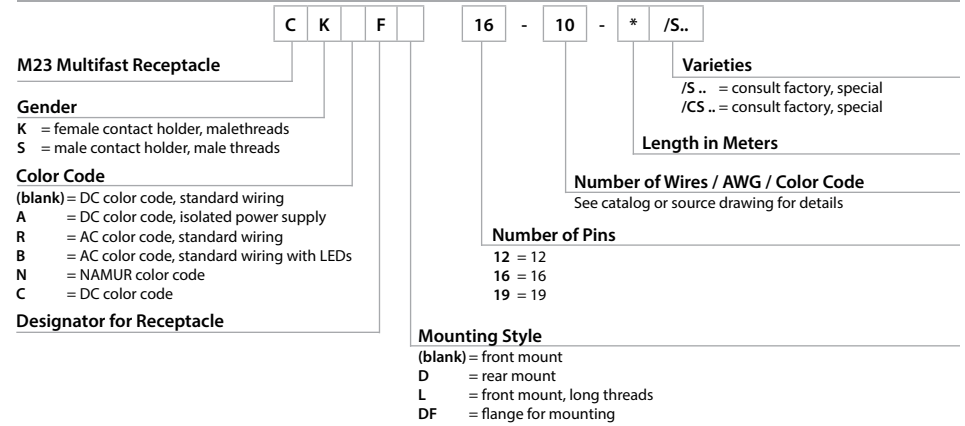
5 = 5 12 = 12  
6 = 6 14 = 14  
7 = 7 19 = 19  
8 = 8

## M23 Multifast

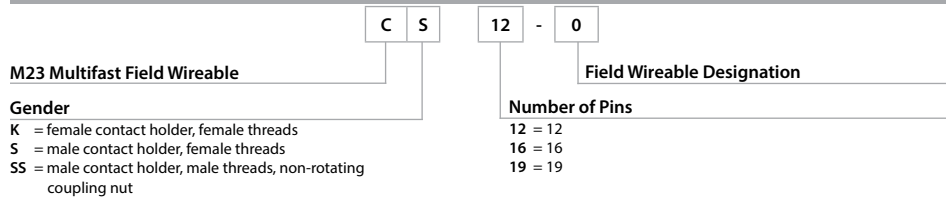
### M23 Multifast Cordset Part Number Key



### M23 Multifast Receptacle Part Number Key

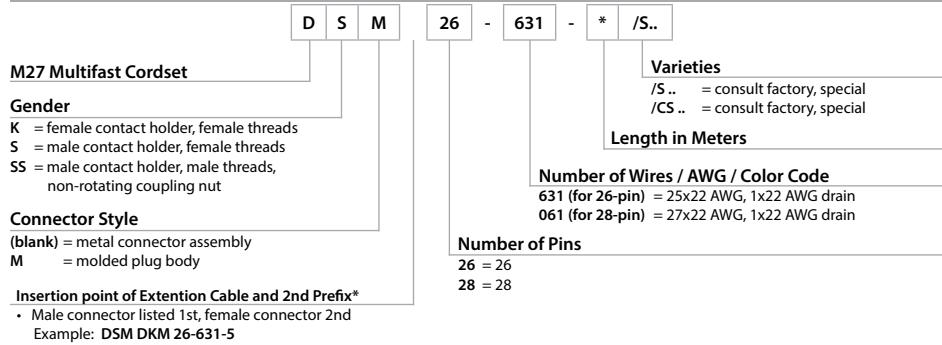


### Field Wireable Part Number Key

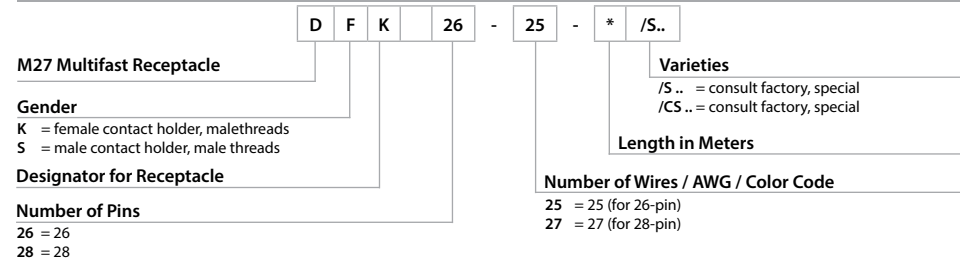


## M27 Multifast

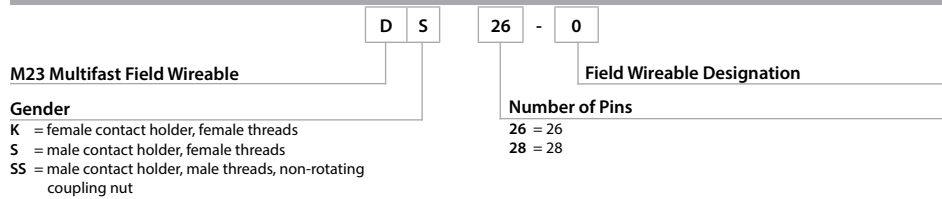
### M27 Multifast Cordset Part Number Key



### M27 Multifast Receptacle Part Number Key



### Field Wireable Part Number Key



# Minifast Process Automation

## Minifast Cordset Part Number, 2-Wire Analog or HART Control Circuits

**P** - **R** **S** **V**      **R** **K** **V**      **40-330** - **2M**

**P= Process Cordset**

**7/8", 1" & 1 1/8" Minifast Cordset**  
**R** = straight  
**W** = right angle

**Gender**  
**K** = female connector and threads  
**S** = male connector and threads

**Coupling Nut Material**  
**M** = nickel plated brass  
**V** = 316 stainless steel

**Body**  
**(blank)** = standard  
**B** = large body, A-size armor

**Insertion Point of Extension Cable Second Prefix\***  
 \*Male connector listed first, female connector second  
 Example: P-RSV RKV 40-330-2M

**Length in Meters**

**Number of Wires/AWG/Color Codes/Cable Type**  
**40-1188XL** = 3x18 AWG, BU, BN, GN/YE, ITC-ER/PLTC-ER, Extremelife-60 (black)  
**40-330** = 3x18 AWG, BU, BN, GN/YE, ITC-ER/PLTC-ER, DIR BUR, PVC (black)  
**40A-952** = 3x18 AWG, BU, BN, GN/YE, ITC-ER/PLTC-ER, DIR BUR, Armor, PVC (black)  
**66-2176XL** = 5x18 AWG, BU, BN, GN/YE, WH, BK, ITC-ER/PLTC-ER, DIR BUR, Extremelife-60 (black)  
**66-494** = 5x18 AWG, BU, BN, GN/YE, WH, BK, ITC-ER/PLTC-ER, DIR BUR, PVC (black)  
**66A-1802** = 5x18 AWG, BU, BN, GN/YE, WH, BK, ITC-ER/PLTC-ER, DIR BUR, Armor, PVC (black)  
**101-1189XL** = 9x18 AWG, WH/BK, BK/WH, WH/GN, GN/WH, WH/RD, RD/WH, GN/YE, WH/OG, OG/WH, ITC-ER/PLTC-ER, DIR BUR, Extremelife-60 (black)  
**101-489** = 9x18 AWG, WH/BK, BK/WH, WH/GN, GN/WH, WH/RD, RD/WH, GN/YE, WH/OG, OG/WH, ITC-ER/PLTC-ER, DIR BUR, PVC (black)  
**101A-417** = 9x18 AWG, WH/BK, BK/WH, WH/GN, GN/WH, WH/RD, RD/WH, GN/YE, WH/OG, OG/WH, ITC/PLTC, Armor, PVC (black)  
**190-1484XL** = 16x22 AWG-1x18 AWG, WH/BK, BK/WH, WH/GN, GN/WH, WH/RD, RD/WH, WH/OG, OG/WH, WH/BU, GN/YE BU/WH, WH/BN, BN/WH, WH/YE, YE/WH, WH/VT, VT/WH, ITC-ER/PLTC-ER, DIR BUR, Extremelife-60 (black)

## Minifast Receptacle with Leads Part Number, 2-Wire Analog or HART Control Circuits

**P** - **R** **K** **F** **V**      **40** **EX** - **0.5** - **/14.5/NPT**

**P= Process Receptacle**

**7/8", 1" & 1 1/8" Minifast Receptacle**

**Gender**  
**K** = female connector  
**S** = male connector

**Designator for Receptacle**

**Housing Material**  
**(blank)** = nickel plated brass  
**V** = stainless steel

**Thread Type**  
**(blank)** = 1/2-14NPSM  
**/14.5/NPT** = 1/2-14 NPT Threads  
**/14.75/NPT** = 3/4-14 NPT Threads  
**/M20** = M20 x 1.5 Threads

**Length in Meters**

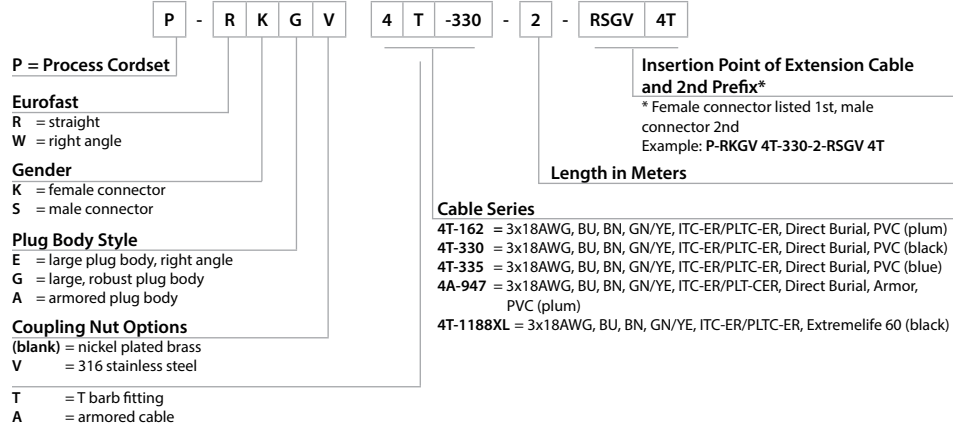
**Receptacle Type**  
**(blank)** = nonincendive  
**EX** = explosion-proof feedthru

**Number of Wires/AWG**  
**40** = 3  
**40D** = 4  
**66** = 5  
**66D** = 6  
**101** = 10  
**190** = 18

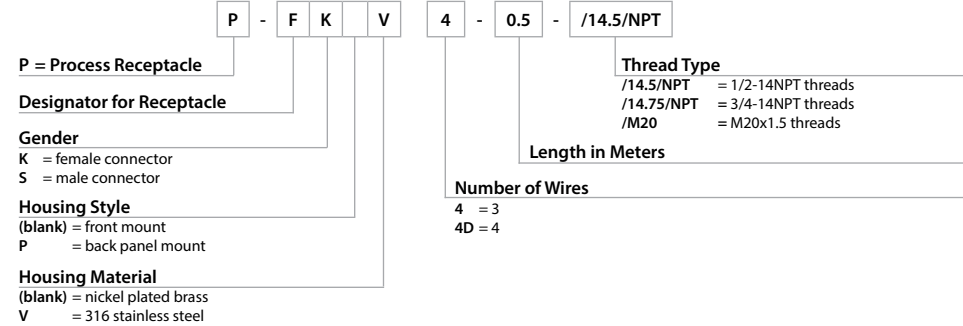


## M12 Process Automation

### M12 Eurofast Cordset Part Number Key, 2-Wire Analog or HART Control Circuits

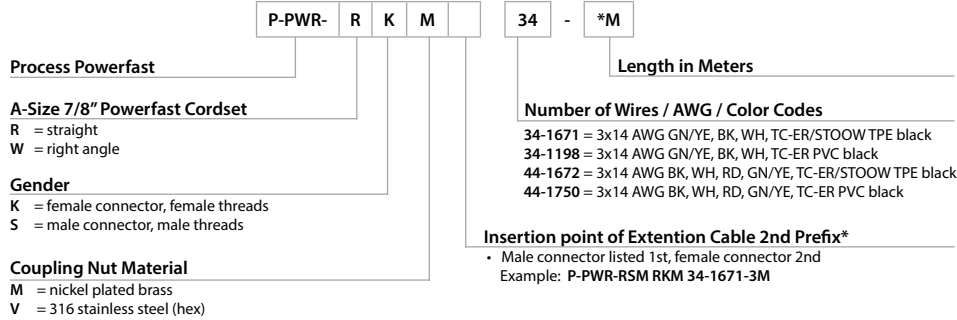


### M12 Eurofast Receptacle with Leads Part Number Key, 2-Wire Analog or HART Control Circuits

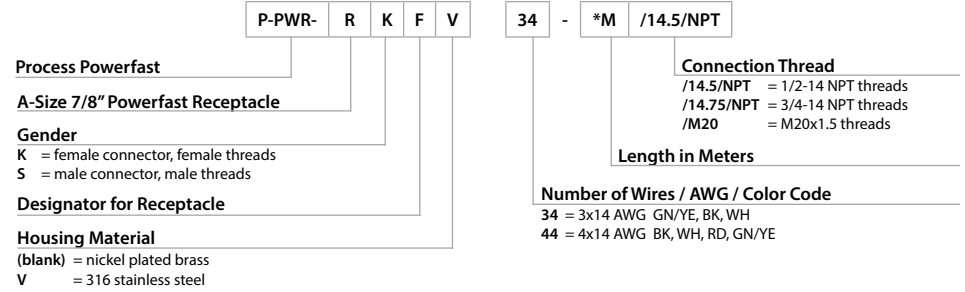


## A-Size 7/8" Powerfast Process Automation

### A-Size 7/8" Powerfast Cordset Part Number Key

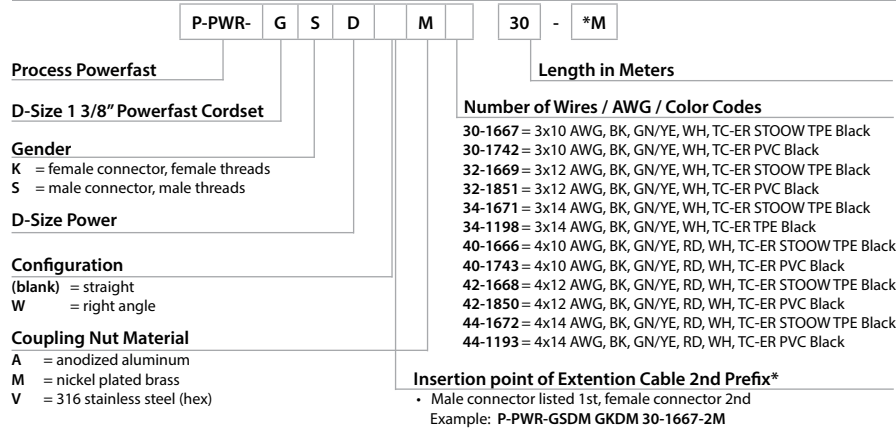


### A-Size 7/8" Powerfast Receptacle Part Number Key

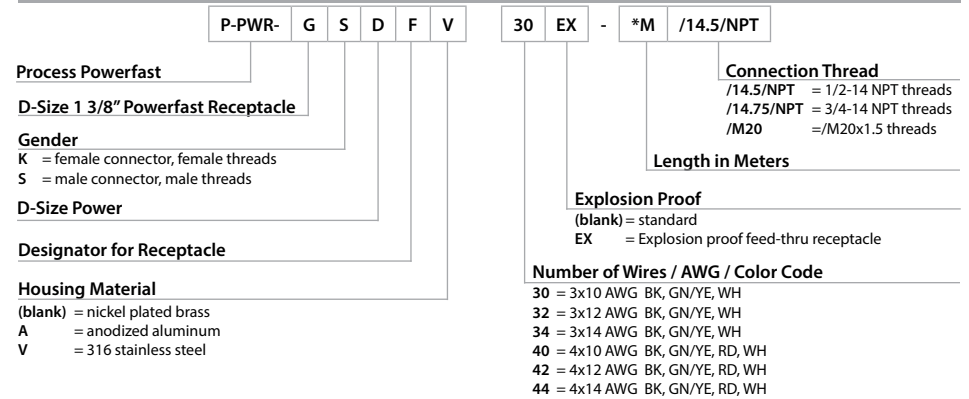


# D-Size 1 3/8" Powerfast Process Automation

## D-Size 1 3/8" Powerfast Cordset Part Number Key



## D-Size 1 3/8" Powerfast Receptacle Part Number Key



## Valve

### Valve Cordset Part Number Key

V A S 22 - F 653 - \*M /S..

#### DIN 43650 Valve Cordset

- T = cable exit on ground side
- V = cable exit opposite ground side
- H = cable exit opposite ground side on top of plug

#### Housing Style

- A = Type "A" 18 mm contact spacing
- B = Type "B" 10 mm contact spacing
- I = Type "I" 11 mm contact spacing
- C8 = Type "C" 8 mm contact spacing
- C9 = Type "C" 9.4 mm contact spacing

#### Housing Color

- G = translucent grey
- S = translucent black
- Y = translucent yellow
- (blank) = clear

#### Pinout

- 2 = 2 conductors, 1 ground
- 21 = 2 conductors, ground not connected
- 22 = 2 conductors, 1 ground, ground contacts parallel wired
- 3 = 3 conductors, 1 ground
- 4 = 3 conductors, 1 ground, additional wire for dual

#### Varieties

- /S .. = consult factory, special
- /S810 = Longer mounting screw

#### Insertion point of Extension Cable 2nd Prefix\*

- \*Valve connector listed 1st, other connector 2nd
- Example: VAS 22 - F653 - 1M - RS 5.3T

#### Connection Type, Length in Meters

- F5 5.3 = integrated M12 Eurofast connector
- V1131 = integrated M8 Picofast connector

#### Number of Wires / AWG / Color Codes

- |                               |                                    |
|-------------------------------|------------------------------------|
| W = field wireable connector  | 654 = 3x18 AWG BN, BK, BU          |
| 544 = 4x18 AWG BN, WH, BK, BU | 658 = 3x18 AWG RD/WH, RD/BK, GE    |
| 587 = 3x24 AWG BN, BK, BU     | 669 = 3x18 AWG BK, BK, GN/YE       |
| 580 = 4x18 AWG BN, WH, BK, BU | 003 = 2x20 AWG BN, BU              |
| 642 = 3x24 AWG BN, BK, BU     | 957 = 3x18 AWG RD/WH, RD/BK, GN/YE |
| 653 = 3x18 AWG BK, BK, GN/YE  | YE                                 |

#### Wiring

- |   |                          |                    |     |        |
|---|--------------------------|--------------------|-----|--------|
| A = straight through                        | 0-220VAC/DC              | N = yellow LED     | 110 | VAC/DC |
| B = yellow LED                              | 24-48VAC/DC              | P = yellow LED/MOV | 24  | VAC/DC |
| C = yellow LED                              | 110-220VAC/DC            |                    |     |        |
| D = yellow LED/MOV                          | 24-48VAC/DC              |                    |     |        |
| E = yellow LED/MOV                          | 110-220 VAC/DC           |                    |     |        |
| F = yellow LED/Diode                        | 24-48 VDC                |                    |     |        |
| L = yellow LED                              | 24 VAC/DC                |                    |     |        |
| M = yellow LED                              | 48 VAC/DC                |                    |     |        |
| K = two color LED for change over to switch | 24 VDC                   |                    |     |        |
| red   | = switch open position   |                    |     |        |
| green                                       | = switch closed position |                    |     |        |

## Deutsch

### Deutsch Cordset Part Number Key



**Series Prefix**

**Gender**

04 = male

06 = female

**Number of Contacts**

2            6

3            8

4            12

**Contact Hype**

P = pins

S = sockets

**Keyway Position**

(blank) = not applicable

A

B

C

D

**Insertion Point of Extension Table**

Example: DT06-2S-2125-2M-DT04-2P

**Length in Meters**

**4 Digit Cable Identifier**

## A-Size 7/8" Powerfast

### A-Size 7/8" Powerfast Cordset Part Number Key

R K M 34 - \*M /S..

#### A-Size 7/8" Powerfast Cordset

R = straight  
W = right angle

#### Gender

K = female connector, female threads  
S = male connector, male threads  
Y = male connector, female threads

#### Coupling Nut Material / Shielding

(blank) = nylon  
M = nickel plated brass  
V = 316 stainless steel (hex)

#### Varieties

(blank) = TC-ER STOOV PVC cable jacket  
/S4000 = TC-ER cable jacket  
/S.. = consult factory, special  
/CS.. = consult factory, special

#### Length in Meters

#### Keyway

(blank) = standard  
P = alternate

#### Number of Wires / AWG / Color Codes

34 = 3x14 AWG GN/YE, BK, WH  
44 = 4x14 AWG BK, WH, RD, GN/YE

#### Insertion point of Extention Cable 2nd Prefix\*

- Male connector listed 1st, female connector 2nd

Example: [BSM.RKM.44-2M](#)

### A-Size 7/8" Powerfast Receptacle Part Number Key

R K F V 34 - \*M /NPT /S..

#### A-Size 7/8" Powerfast Receptacle

#### Gender

K = female connector, female threads  
S = male connector, male threads  
X = female connector, male threads

#### Designator for Receptacle

#### Housing Material

(blank) = nickel plated brass  
K = nylon  
V = 316 stainless steel

#### Varieties

/S = consult factory, special  
/CS = consult factory, special  
W/LN = with locknut

#### Connection Thread

/14/75/NPT = 3/4-14 NPT threads  
/NPT = 1/2-14 NPT threads  
/M20 = /M20x1.5 threads

#### Length in Meters

#### Keyway

(blank) = standard  
P = alternate

#### Number of Wires / AWG / Color Code

34 = 3x14 AWG GN/YE, BK, WH  
44 = 4x14 AWG BK, WH, RD, GN/YE

## C-Size Powerfast

### C-Size Powerfast Cordset Part Number Key



#### Connector Geometry

R = straight  
W = right angle

#### Gender

K = female  
S = male

#### Coupling Nut Material

M = nickel plated brass  
V = stainless steel

#### C-Size 1 1/8" Powerfast Cordset

#### Shielding

(blank) = no shield to coupling nut  
S = shielded to coupling nut

#### Insertion Point of Extension Cable Second Prefix\*

\*Male connector listed first, female connector second  
Example: RSMC RKMC 42-2M/S4000



#### Varieties

/S.. = consult factory, special  
/CS.. = consult factory, special  
/VFD = VFD compatible  
/S4000 = TC-ER without  
STOOW approval

#### Length in Meters

#### Number of Wires/AWG

42 = 4x12 AWG

### C-Size Powerfast Receptacle Part Number Key



#### 1 1/8" Powerfast Receptacle

#### Gender

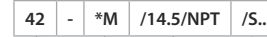
K = female  
S = male

#### C-Size 1 1/8" Powerfast Receptacle

#### Housing Material

(blank) = nickel plated brass  
V = stainless steel

#### C-Size 1 1/8" Powerfast Receptacle



#### Varieties

/S.. = consult factory, special  
/CS.. = consult factory, special

#### Thread Type

/14.5/NPT = 1/2-14 NPT Threads  
/14.75/NPT = 3/4-14 NPT Threads  
/M20 = M20 x 1.5 Threads

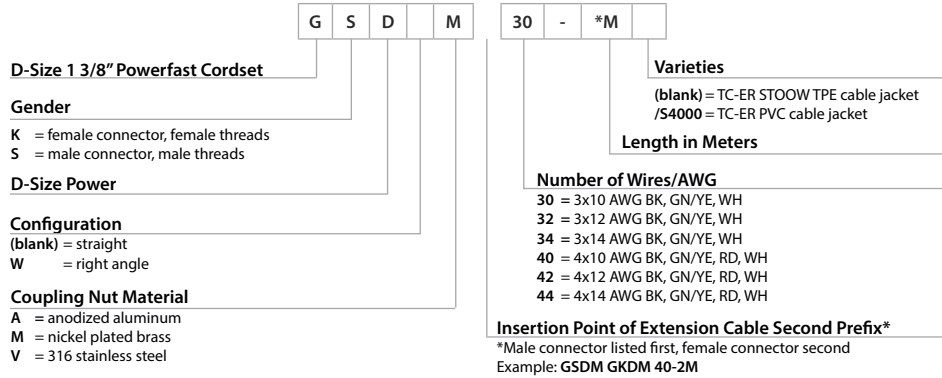
#### Length in Meters

#### Number of Wires/AWG

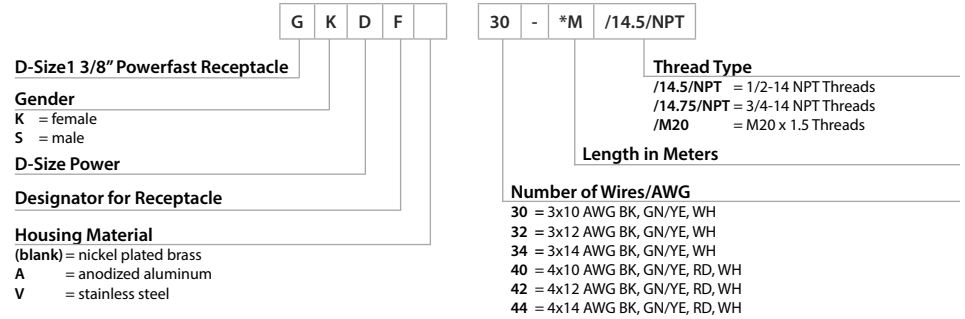
42 = 4x12 AWG

## D-Size Powerfast

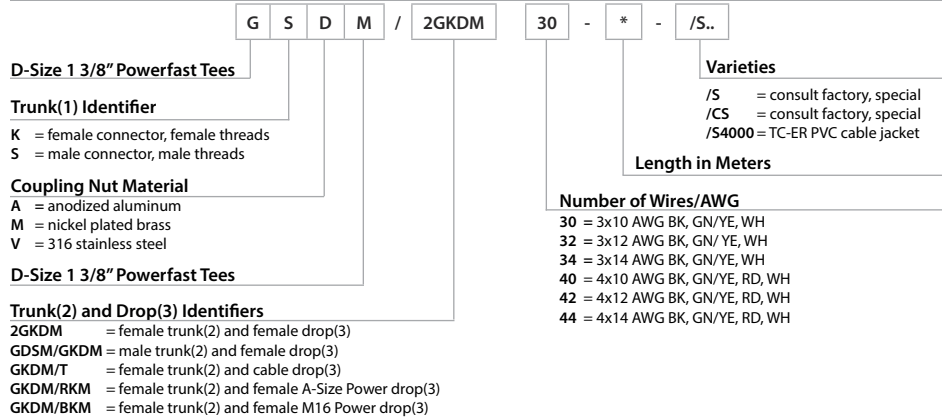
### D-Size 1 3/8" Powerfast Cordset



### D-Size 1 3/8" Powerfast Receptacle Part Number Key



### D-Size 1 3/8" Powerfast Tee Part Number Key



**Note:** Only one male connector per tee available. Standard female coupling nut material for A-Size Power drop and M16 Power drop is nickel plated brass.



## M16 Powerfast

### M16 Powerfast Cordset Part Number Key

**M16 (16 mm) Powerfast Cordset**

**Gender**  
 K = female connector  
 S = male connector

**Configuration**  
 M = straight  
 WM = right angle

**Shielding**  
 (blank) = not shielded to coupling nut  
 S = shielded to coupling nut

**Coupling Nut Material**  
 (blank) = nickel plated brass  
 K = nylon  
 V = 316 stainless steel  
 S = shielded

**Part Number Key:** B S M [ ] [ ] 34-198 - \* /S..

**Varieties**  
 /S = consult factory, special  
 /CS = consult factory, special  
 /VFD = VFD compatible

**Length in Meters**

**Number of Wires / AWG / Color Code**

|         |            |                                   |
|---------|------------|-----------------------------------|
| 22-380  | = 2x12 AWG | WH, BK                            |
| 34-198  | = 3x14 AWG | WH, GN/YE, BK                     |
| 44-193  | = 4x14 AWG | WH, GN/YE, BK, RD                 |
| 22-1759 | = 2x12 AWG | WH, BK (shielded)                 |
| 34-1364 | = 3x14 AWG | WH, GN/YE, BK (shielded)          |
| 44-1363 | = 4x14 AWG | WH, GN/YE, BK, RD (shielded)      |
| 44-2188 | = 4x14 AWG | WH, GN/YE, BK, RD (shielded, VFD) |

**Insertion point of Extension Cable and 2nd Prefix\***  
 • Male connector listed 1st, female connector 2nd  
 Example: **BSM BKM 34-198\***

### M16 Powerfast Tee Part Number Key

**M16 (16 mm) Powerfast**

**Trunk (1) Identifier**  
 K = female receptacle  
 S = male receptacle

**Configuration**  
 M = straight

**Coupling Nut Material**  
 (blank) = nickel plated brass  
 K = nylon  
 V = 316 stainless steel

**Trunk (2) and Drop (3) Identifiers**  
 2BKM = female trunk(2) and female drop(3)  
 BSM/BKM = male trunk(2) and female drop(3)  
 BKM/T = female trunk(2) and cable drop(3)

**Part Number Key:** B S M [ ] - 2BKM 34 - 198 - \* - /S..

**Varieties**  
 /S = consult factory, special  
 /CS = consult factory, special

**Length in Meters**  
 (blank) = connector only  
 \* = drop cable  
 \*/\*/ = trunk(1) cable / trunk(2) cable / drop(3) cable

**AWG / Color Code**  
 (blank) = connector only  
 380 = 2x14 AWG WH, BK  
 198 = 3x14 AWG WH, GN/YE, BK, RD  
 193 = 4x14 AWG WH, GN/YE, BK, RD

**Number of Pins**  
 22 = 2  
 34 = 3  
 44 = 4

### M16 Powerfast Receptacle Part Number Key

**M16 (16 mm) Powerfast Receptacle**

**Gender**  
 K = female contact holder, female threads  
 S = male contact holder, female threads

**Designator for Receptacle**

**Housing Style**  
 (blank) = front mount  
 D = rear mount

**Housing Material**  
 (blank) = nickel plated brass  
 V = 316 stainless steel

**Part Number Key:** B K F [ ] [ ] 22 - \* /14.5/NPT

**Thread Type**  
 /14.5/NPT = 1/2-14NPT threads  
 /M20 = M20 threads  
 /M18 = M18 threads

**Length in Meters**

**Number of Wires / AWG / Color Code**

|    |            |                   |
|----|------------|-------------------|
| 22 | = 2x12 AWG | WH, BK            |
| 34 | = 3x14 AWG | WH, GN/YE, BK     |
| 44 | = 4x14 AWG | WH, GN/YE, BK, RD |

### M16 Powerfast H/h Style Tee Part Number Key

**H/h Style**  
 BH = big H  
 SH = small h

**M16 (16 mm) Powerfast**

**Trunk (1) Identifier**  
 K = female connector  
 S = male connector

**Configuration**  
 M = straight

**Coupling Nut Material**  
 (blank) = nickel plated brass  
 K = nylon  
 V = 316 stainless steel

**Trunk (2) and Drop (3&4) Identifiers**  
 2BKM = female trunk(2) and female drop(3) (h)  
 BSM/BKM = male trunk(2) and female drop(3) (h)  
 BKM/T = female trunk(2) and cable drop (3) (h)  
 3BKM = female trunk(2) and female drops(3&4) (H)  
 BSM/2BKM = male trunk(2) and female drops(3&4) (H)

**Part Number Key:** BH - B S M [ ] / 2BKM 34 - 198 - \* - /S..

**Varieties**  
 /S.. = consult factory, special  
 /CS.. = consult factory, special

**Length in Meters**  
 (blank) = connector only  
 \* = drop cable  
 \*/\*/ = trunk(1) cable / trunk(2) cable / drop(3) cable  
 \*/\*/\*/ = trunk(1) cable / trunk(2) cable / drop(3) cable / drop(4) cable

**AWG / Color Code**  
 (blank) = connector only  
 380 = 2x12 AWG, WH, BK  
 198 = 3x14 AWG, WH, GN/YE, BK  
 193 = 4x14 AWG, WH, GN/YE, BK, RD

**Number of Pins**  
 22 = 2  
 34 = 3  
 44 = 4

## M23 Powerfast

### M23 Powerfast Cordset Part Number Key

**M (23 mm) Powerfast Receptacle**

**Gender**  
 K = female contact holder, female threads  
 S = male contact holder, female threads  
 SS = male contact holder, male threads

**Configuration**  
 M = straight  
 WM = right angle  
 (blank) = straight assembled connector

**Coupling Nut Material / Shielding**  
 (blank) = nickel plated brass  
 V = stainless steel  
 S = shielded

**64-078 - \* /S..**

**Varieties**  
 (blank) = PVC jacket  
 /S90 = PUR jacket

**Length in Meters**

**Number of Wires / AWG / Color Code**

|         |                   |  |
|---------|-------------------|--|
| 64-078  | = 6x14 AWG        | WH, RD, GN/YE, OG, BK, BU                      |
| 74-079  | = 7x14 AWG        | WH/BK, BK, WH, RD, OG, BU, GN/YE               |
| 94-080  | = 3x14 & 6X18 AWG | RD, WH, WH/BK, BU, OG, BK, GN/BK, GN/YE, RD/BK |
| 622-059 | = 6x12 AWG        | BU, RD, GN/YE, BN, OG, YE                      |
| 822-287 | = 4x12 & 4X18 AWG | BU, GN/YE, WH, BK, OG, RD, WH/BK, RD/BK        |
| 622-286 | = 6x12 AWG        | BU, RD, GN/YE, BN, OG, YE                      |
| 822-288 | = 4x12 & 4X18 AWG | BU, GN/YE, WH, BK, OG, RD, WH/BK, RD/BK        |

**Insertion point of Extention Cable and 2nd Prefix\***

- Male connector listed 1st, female connector 2nd

Example: [CSMCKM64-078-1](#)

### M23 Powerfast Receptacle Number Key

**M (23 mm) Powerfast Receptacle**

**Gender**  
 K = female contact holder, male threads  
 S = male contact holder, male threads

**Designator for Receptacle**

**Mounting Style**  
 (blank) = front mount  
 D = rear mount  
 F = flange  
 MF = flange, rotating coupling nut  
 L = front mount, long threads

**64-6 - \***

**Length in Meters**

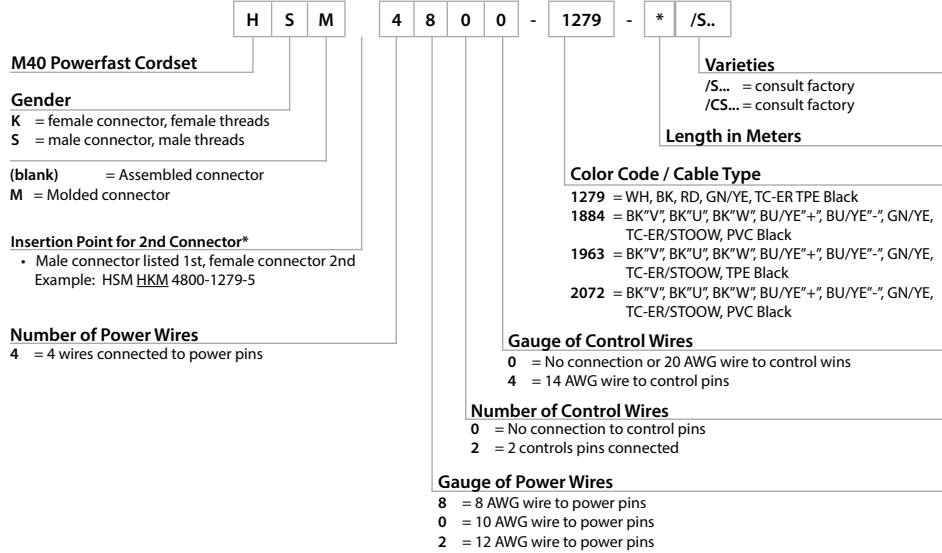
**Number of Wires / AWG / Color Code**

|       |                   |  |
|-------|-------------------|--|
| 64-6  | = 6x14 AWG        | WH, RD, GN/YE, OG, BK, BU                      |
| 74-7  | = 7x14 AWG        | WH/BK, BK, WH, RD, OG, BU, GN/YE               |
| 94-9  | = 3x14 & 6X18 AWG | RD, WH, WH/BK, BU, OG, BK, GN/BK, GN/YE, RD/BK |
| 622-6 | = 6x12 AWG        | BU, RD, GN/YE, BN, OG, YE                      |
| 822-8 | = 4x12 & 4X18 AWG | BU, GN/YE, WH, BK, OG, RD, WH/BK, RD/BK        |

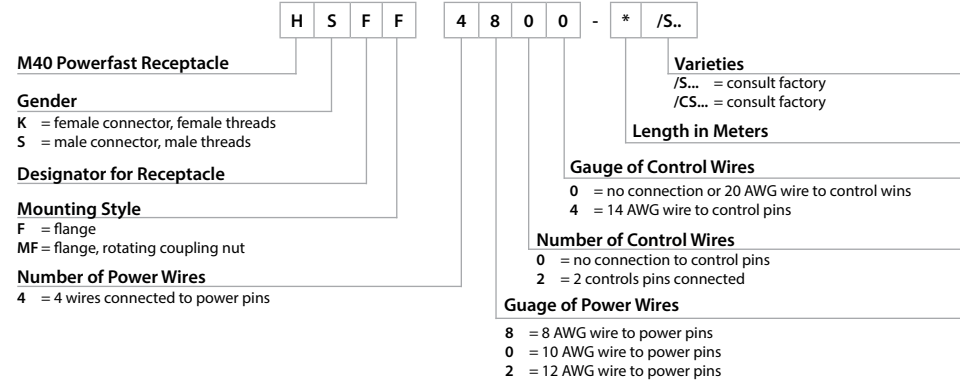
**Housing Material**  
 (blank) = nickel plated brass  
 V = stainless steel

## M40 Powerfast

### M40 Powerfast Cordset Part Number Key



### M40 Powerfast Receptacle Part Number Key



# TURCK

Over 30 subsidiaries and  
60 representatives worldwide!