

Your Global Automation Partner

TURCK

Connectivity Part Number Key

Connectivity Part Number Key Content

M12 Eurofast
M12 Redesign
M8 Picofast
Minifast
Industrial Ethernet
DeviceNet Physical Media Connectivity
PROFIBUS - DP,-PA Physical Media Connectivity
Foundation Fieldbus
Microfast
M16 Versafast
M23 Multifast
M27 Multifast
Minifast Process Automation
M12 Process Automation
A-Size 7/8" Powerfast Process Automation
D-Size 1 3/8" Powerfast Process Automation
Valve
Deutsch
A-Size 7/8" Powerfast
C-Size Powerfast
D-Size Powerfast
M16 Powerfast
M23 Powerfast
M40 Powerfast

M12 Eurofast

M12 Eurofast Cordset Part Number Key

M12 Eurofast Cordset

R = straight
W = right angle

Gender
K = female connector
S = male connector

Plug Body Style
(blank) = standard plug body
A = armored plug body, 18 AWG
C = medium plug body
CN = medium plug body, NAMUR wiring
E = large plug body
G = large, robust plug body
L = compact plug body
S = shielded to coupling nut

Coupling Nut Options
(blank) = nickel plated brass
V = stainless steel
S = shielded to coupling nut
K = nylon

Number of Wires/AWG/Color Codes
4.2 = 2 wire BN, BU
4.21 = 2 wire BN, BU, NAMUR
4.22 = 2 wire BN, BU
4.23 = 2 wire BN, BU
4 = 3 wire BN, BU, BK
4.4 = 4 wire BN, WH, BU, BK
4.41 = 4 wire BN, WH, BU, BK, NAMUR
4.43 = 4 wire BN, WH, BU, BK, yellow jacket
4.5 = 5 wire BN, WH, BU, BK, GY
4.6 = 6 wire BN, WH, BU, BK, GY, PK
5 = 5 wire GN, WH, OG, BK, RD, NAMUR
6 = 6 wire BN, WH, BU, BK, GY, PK
8 = 8 wire WH, BN, GN, YE, GY, PK, BU, RD
8.6 = 6 wire WH, GN, YE, GY, BN, BU
8.8 = 8 wire WH, GN, YE, GY, BN, PK, BU, RD
10 = 10 wire WH, BN, GN, YE, GY, PK, BU, RD, OG, TN
12 = 12 wire WH, BN, GN, YE, GY, PK, BU, RD, OG, TN, VT
AWG sizes depend on body style and "/S" variety

Varieties
(blank) = PVC jacket
/S90 = TPU jacket
/S90-SP = TPU coil cord
/S101 = Flexlife-20, high flex cable
/S529 = yellow PUR jacket, braided shield, PVC inner jacket
/S618 = foil shield & drain wire, drain not connected
/S622 = grey PVC jacket, 18 AWG conductors
/S653 = foil shield & drain wire, drain connected
/S715 = yellow jacket
/S824 = PLTC
/S1092 = PTFE coated coupling nuts
/S1587 = TPE, Weldlife
/S1077 = silicone tubing
/S = consult factory, special
/CS = consult factory, special

Insertion Point of Extension Cable and Second Prefix*
* Female connector listed first, male connector second
Example: RK 4T-4-WS-4T

LED Options
(blank) = no LEDs
P7X2 = 2 LEDs with sourcing (PNP) signal and power
P7X3 = 3 LEDs with sourcing (PNP) signal and power
N7X2 = 2 LEDs with shrinking (NPN) signal and power

Length in Meters
(blank) = no barb fitting, L style only
T = T barb fitting
A = armored cable

M12 Eurofast Receptacle Part Number Key

M12 Eurofast Receptacle

Gender
K = female connector
S = male connector

Housing Style
(blank) = front mount
D = front mount, front locknut
FD = rear mount
FDL = rear mount, solder cup
M = front mount, rotating coupling nut
P = back panel mount

Keyway Type
(blank) = standard keyway
W = reverse keyway

Housing Material Keyway Type
(blank) = nickel plated brass
V = stainless steel

Varieties
/S613 .. = 18 AWG, standard color code
/CS .. = consult factory, special
/S.. = consult factory, special
/S717 = assembled with jacketed cable

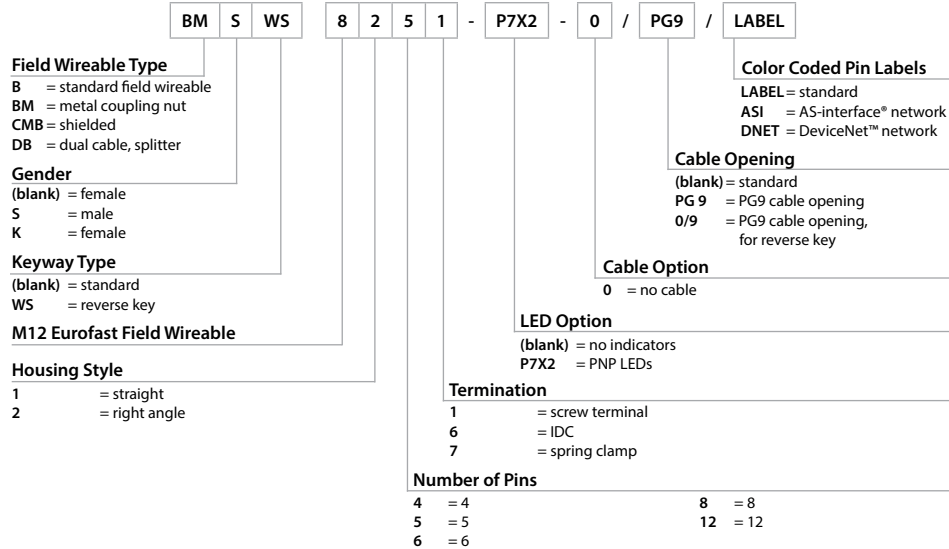
Thread Type
(blank) = PG 9 threads or other, see specifications
/13.5 = PG 13.5 threads
/14.5 = 1/2-14 NPSM threads
/14.5/NPT = 1/2-14 NPT threads
M20 = M20x1 threads
/PG16 = PG 16 threads

Connection Type/Length in Meters
(blank) = no leads, either PCB pin or solder cup
PCB = PCB pins

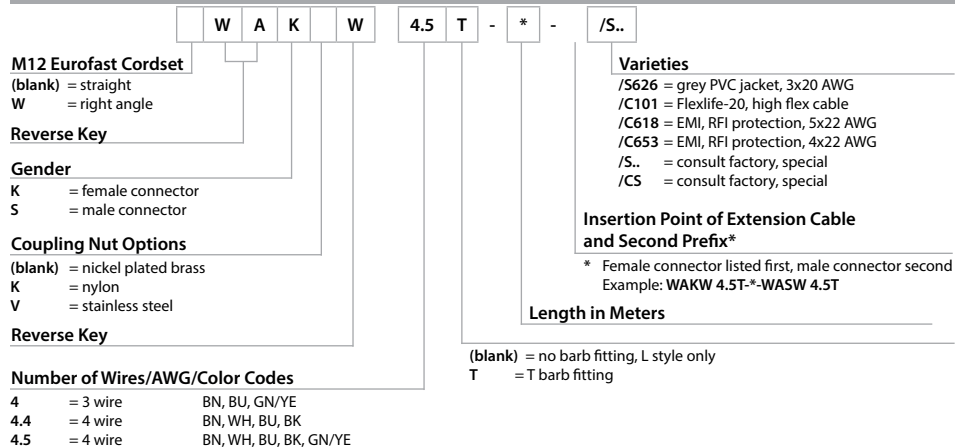
Number of Wires/AWG/Color Codes
4.2 = 2 wire BN, BU
4.21 = 2 wire BN, BU, NAMUR
4.22 = 2 wire BN, BU
4.23 = 2 wire BN, BU
4 = 3 wire BN, BU, BK
4.4 = 4 wire BN, WH, BU, BK
4.41 = 4 wire BN, WH, BU, BK, NAMUR
4.43 = 4 wire BN, WH, BU, BK, yellow jacket
4.5 = 5 wire BN, WH, BU, BK, GY
4.6 = 6 wire BN, WH, BU, BK, GY, PK
5 = 5 wire GN, WH, OG, BK, RD, NAMUR
6 = 6 wire BN, WH, BU, BK, GY, PK
8 = 8 wire WH, BN, GN, YE, GY, PK, BU, RD
8.6 = 6 wire WH, GN, YE, GY, BN, BU
8.8 = 8 wire WH, GN, YE, GY, BN, PK, BU, RD
10 = 10 wire WH, BN, GN, YE, GY, PK, BU, RD, OG, TN
12 = 12 wire WH, BN, GN, YE, GY, PK, BU, RD, OG, TN, VT
AWG sizes depend on body style and "/S" variety

M12 Eurofast

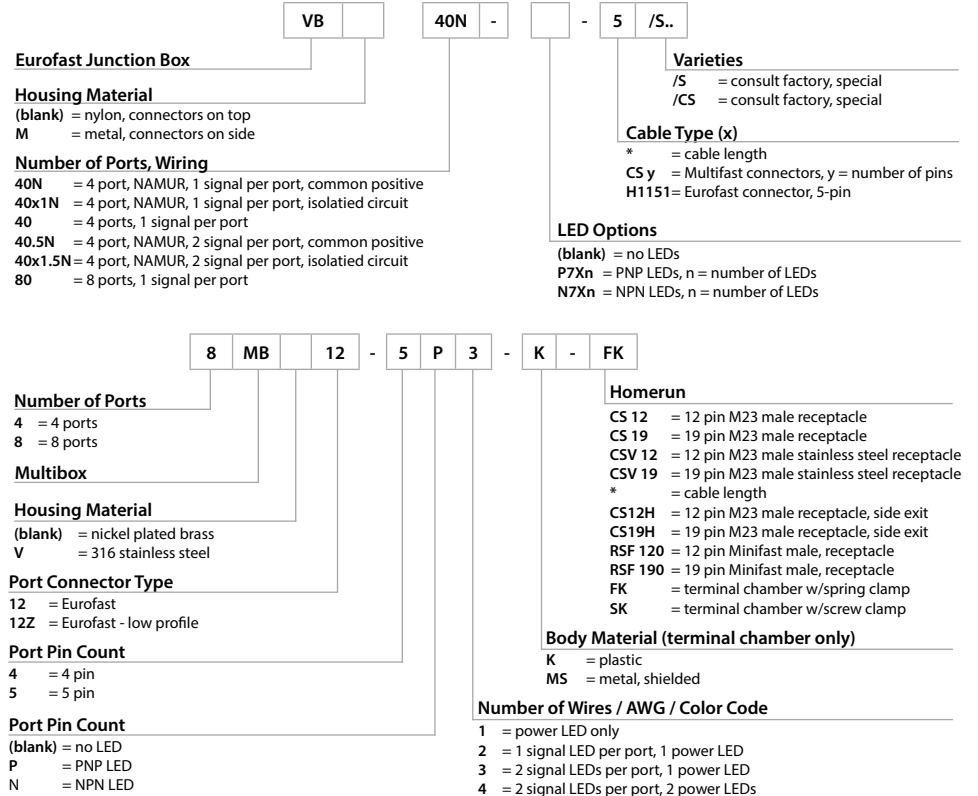
M12 Eurofast Field Wireable Part Number Key



M12 Eurofast Reverse Key (B-Code) Cordset Part Number Key



M12 Eurofast Standard and Low Profile Junction Box Part Number Key



M12 Redesign

M12 Redesign Cordset Part Number Key

E S R T 001 - A4 . 4 00 - GC2K - 2

Family

E = Eurofast (M12)

Gender

K = female
S = male

Plug Style

R = straight
W = right angle

Coupling Nut Configuration

T = nickel plated brass, includes Torque Sleeve
B = nickel plated brass, without Torque Sleeve
L = stainless steel, includes Torque Sleeve
V = stainless steel, without Torque Sleeve
P = acetal plastic, without Torque Sleeve

Optional Customization

(blank) = no customization, black plug body and yellow Torque Sleeve (when included)
001 = yellow plug body
.. = consult factory for other options

Insertion Point of Extension Cable and Second Prefix*

*Female connector listed first, male connector second
Example: EKRT-ESRT-A4.400-GC2K-1

Customization options are available for different colors, keyway rotations, and pinouts. Contact factory for details.

Length in Meters

nearest 0.1m
max 4 characters

Cable Series

GC2K = black general purpose PVC jacket with 22 AWG conductors (standard)
GC2Y = yellow general purpose PVC jacket with 22 AWG conductors
GC8K = black general purpose PVC jacket with 18 AWG conductors
GU24 = grey general purpose TPU jacket with 22 AWG conductors (S90)
GU2K = black general purpose TPU jacket with 22 AWG conductors (S90, S760)
GU2Y = yellow general purpose TPU jacket with 22 AWG conductors (S90)
GU8K = black general purpose TPU jacket with 18 AWG conductors (S90)
WA2Y = yellow aramid over Weldlife TPE jacket with 22 AWG conductors (S3415)
WE2K = black Weldlife TPE jacket with 22 AWG conductors (S1587, S760)
WE2Y = yellow Weldlife TPE jacket with 22 AWG conductors (S1587)
WE8K = black Weldlife TPE jacket with 18 AWG conductors (S1587, S760)
WE8Y = yellow Weldlife TPE jacket with 18 AWG conductors (S3060)
DC24 = grey PVC cable with foil shield, drain wire and 22 AWG conductors (S653)
FE24 = grey Flexlife 20 TPE jacket with 22 AWG conductors (S101)
FE8Y = yellow Flexlife 20 TPE jacket with 18 AWG conductors (S101)
HUA6 = orange halogen free TPU with 0.34mm² conductors (TXO3700)
HUAK = black halogen free TPU with 0.34mm² conductor (TXL)

Pinout

00 = standard DC
... = consult factory for other options

Number of Conductors

Keyway Coding and Pole Count

A4 = standard / A-code with 4 poles (up to 4 wires when center pin is not used)
A5 = standard / A-code with 5 poles (up to 5 wires when center pin is used)
B5 = reversed / B-code with 5 poles

M12 Redesign Receptacle Part Number Key

E R S B G - A4 . 4 00 4 - *

Family

E = Eurofast (M12)

Mounting Type

F = front mount receptacle
R = rear mount receptacle

Gender

K = female
S = male

Housing Material

B = nickel plated brass (standard)
V = stainless steel

Mounting Thread

G = PG9
H = 1/2-14 NPT
Q = 1/4-18 NPT
M = M16
T = M20

Locknut

(blank) = included/installed, same material as housing
0 = (zero) not included

Length in Meters

nearest 0.1 m
max 4 characters

Wire Gauge

.2 = 22 AWG
.8 = 18 AWG
.4 = 24 AWG, non-standard
.0 = 20 AWG, non-standard
... =

Pinout

00 = standard DC
... = consult factory for other options

Number of Conductors

Keyway Coding and Pole Count

A4 = standard / A-code with 4 poles (up to 4 wires when center pin is not used)
A5 = standard / A-code with 5 poles (up to 5 wires when center pin is used)
B5 = reversed / B-code with 5 poles

M8 Picofast

M8 Picofast Cordset Part Number Key

P K G **3 Z** - **P7X2 *** /S..

M8 Picofast Cordset

Gender
 K = female connector
 S = male connector

Configuration
 G = straight
 W = right angle

Plug Body Style
 (blank) = standard
 C = medium plug body (22 AWG)

Coupling Nut (Threaded coupling nut only)
 (blank) = nickel plated brass
 V = Stainless steel
 S = Shielded to coupling nut

Number of Wires / AWG / Color Code
 3 = 3x24 AWG BN, BU, BK
 4 = 4x26 AWG BN, BU, BK, WH
 6 = 6x26 AWG BN, BU, BK, WH, GY, PK

Locking Method
 (blank) = male snap lock (no locking sleeve)
 Z = female snap lock (locking sleeve)
 M = M8x1 threaded coupling nut
 F = fixed thread (3-pin male only)

Varieties
 (blank) = PVC jacket
 /S90 = TPU jacket
 /S90-SP = TPU coil cord
 /S90/S101 = TPU jacket, Flexlife™-20, and C-Track
 /S90/S618 = TPU jacket with foil shield and drain wire
 /S760/S171 = PVC black jacket, black plug body
 /S .. = consult factory, special
 /CS .. = consult factory, special
 /S1587 = TPE jacket, Weldlife

Insertion point of Extension Cable and 2nd Prefix*
 • Female connector listed 1st, male connector 2nd
 Example: **PKG 3M - 2 - PSG 3M**

Length in Meters

LED Options
 (blank) = No LEDs
 P7X2 = 2 LEDs with sourcing (PNP) signal and power
 N7X2 = 2 LEDs with sinking (NPN) signal and power

M8 Picofast Receptacle Part Number Key

M F K S **3 F** - *

M8 Picofast Receptacle
 M = straight
 WM = right angle (PCB pins)

Designator for Receptacle

Gender
 K = female connector
 S = male connector

Connection Type
 (blank) = snap lock
 S = threaded
 SH = threaded and mounting bracket
 SHL = threaded and long mounting bracket

Connection Type / Length in Meters
 PCB = PCB pins
 PCBF = PCB pins
 S717 = assembled with jacketed cable

Mounting Style
 (blank) = front mount (rear thread and locknut)
 F = rear mount (front thread and locknut)

Number of Wires / AWG / Color Code
 3 = 3x24 AWG BN, BU, BK
 4 = 4x26 AWG BN, BU, BK, WH
 6 = 6x26 AWG BN, BU, BK, WH, GY, PK

Field Wireable Part Number Key

B S **S 1 3 1** - **0**

Field Wireable Type
 B = standard field wireable

Gender
 (blank) = female connector
 S = male connector

M8 Picofast Field Wireable

Housing Style
 1 = straight
 2 = right angle

Termination
 1 = threaded connector
 2 = snap lock
 3 = threaded with screw terminal
 6 = IDC

Number of Pins
 3 = 3
 4 = 4

Cable Option
 0 = no cable

Junction Box Part Number Key

TB - **8 M8 M** - **3 P2** - **FS8** /

Picofast Junction Box

Number of Ports
 4 = 4-Port
 8 = 8-Port

Port connectors
 M8 = M8 Picofast

Port Connection Type
 M = M8x1 thread
 Z = M8 Snap

Special Modifiers, /S & /CS

Homerun Connector
 FS8 = 8-pin M12
 FS12 = 12-pin M12
 * = cable length in meters

Port LED Type
 (blank) = no LEDs
 P2 = PNP LEDs (3-pin only)
 N2 = NPN LEDs (3-pin ports only)

Port Type
 3 = 3-pin ports, 1 signal per port
 4 = 4-pin ports, 2 signal per port

Minifast

7/8", 1" & 1 1/8" Minifast Cordset Part Number Key

7/8", 1" & 1 1/8" Minifast Cordset

R = straight
W = right angle

Gender
K = female connector
S = male connector
Y = male connector, female threads

Coupling Nut Material
(blank) = nylon
M = nickel plated brass
V = stainless steel (hex on 1", 1 1/8" and knurl on 7/8")
VH = stainless steel (hex on 7/8")

Insertion point of Extension Cable and 2nd Prefix*

- Male connector listed 1st, female connector 2nd
- Example: RSM RKM 40-2M

Number of Wires / AWG / Color Codes

20 = 2x18 AWG BN, BU	55 = 5x16 AWG RD/WH, RD/BU, GN/YE, RD/OG, RD/BK	106 = 10x16 AWG OG, BU, WH/BK, RD/BK, GN/BK, OG/BK, RD, GN/YE, BK, WH
26 = 2x16 AWG WH, BK	56 = 5x16 AWG WH, RD, GN/YE, OG, BK	126 = 12x16 AWG OG, BU, WH/BK, RD/BK, GN/BK, OG/BK, BU/BK, BK/WH, GN/YE, RD, WH, BK
28A = 2x18 AWG WH, BK	58A = 5x18 AWG WH, RD, GN/YE, OG, BK	190 = 3x18, 16X22 AWG VT, RD, GY, RD/BU, BU, GN, BN, WH/GN, WH/YE, WH/GY, BK, GN/YE, YE/BN, BN/GN, WH, YE, PK, GY/BN, GY/PK
30 = 3x18 AWG GN/YE, BN, BU	511 = 5x18 AWG RD/WH, RD/BU, GN/YE, RD/OG, RD/BK	___A Metal Clad Cable (18 AWG straight only)
31 = 3x18 AWG BK, BN, BU	61 = 6x18 AWG GN, WH, BU, GY, YE, BN	___D Smooth Plug Body (16 AWG straight only)
35 = 3x16 AWG GN/YE, RD/BK, RD/WH	66 = 6x16 AWG WH, RD, GN/YE, OG, BK, BU	
36 = 3x16 AWG GN/YE, BK, WH	68A = 6x18 AWG WH, RD, GN/YE, OG, BK, BU	
38A = 3x18 AWG GN/YE, BK, WH	686 = 6x16 AWG OG, BU, BK, WH, RD, GN/YE	
311 = 3x18 AWG GN/YE, RD/BK, RD/WH	76 = 7x16 AWG WH/BK, BK, WH, RD, OG, BU, GN/YE	
40 = 4x18 AWG BN, WH, BU, BK	86 = 8x16 AWG OG, BU, WH/BK, BK, WH, RD, GN/YE, RD/BK	
46 = 4x16 AWG BK, WH, RD, GN/YE	96 = 9x16 AWG OG, BU, RD/BK, GN/BK,	
47 = 4x16 AWG BN, WH, BU, BK		
48A = 4x18 AWG BK, WH, RD, GN/YE		
461 = 4x16 AWG BN, WH, BU, GN/YE		
50 = 5x18 AWG BK, BU, GN/YE, BN, WH		

Varieties
(blank) = PVC jacket
/S90 = TPU jacket
/S90-SP = TPU coil cord
/S101 = Flexlife ®-20, and C-Track high flex cable
/S600 = CPE, rubber jacket
/S1077 = silicone tubing
/S1587 = TPE, Weldlife ®
/S3059 = TPE, Weldlife ®, automotive
/S.. = consult factory, special
/CS.. = consult factory, special

Length in Meters

7/8", 1" & 1 1/8" Minifast Receptacle Part Number Key

7/8", 1" & 1 1/8" Minifast Receptacle

R = straight
K = female connector, female threads
F = male connector, male threads
V = male connector, female threads

Gender
K = female connector, female threads
S = male connector, male threads
Y = male connector, female threads
X = female connector, male threads

Designator for Receptacle

Mounting Style
(blank) = front mount
P = back panel mount
L = solder cup
F = flange mount

Housing Material
(blank) = nickel plated brass
K = nylon
V = stainless steel

Number of Wires / AWG / Color Codes

20 = 2x18 AWG BN, BU	56 = 5x16 AWG WH, RD, GN/YE, OG, BK	106 = 10x16 AWG OG, BU, WH/BK, RD/BK, GN/YE, BK, WH
26 = 2x16 AWG WH, BK	58 = 5x18 AWG WH, RD, GN/YE, OG, BK	126 = 12x16 AWG OG, BU, WH/BK, RD/BK, GN/BK, OG/BK, BU/BK, BK/WH, GN/YE, RD, WH, BK
28 = 2x18 AWG WH, BK	511 = 5x18 AWG RD/WH, RD/BU, GN/YE, RD/OG, RD/BK	190 = 3x18, 16X22 AWG VT, RD, GY, RD/BU, BU, GN, BN, WH/GN, WH/YE, WH/GY, BK, GN/YE, YE/BN, BN/GN, WH, YE, PK, GY/BN, GY/PK
30 = 3x18 AWG GN/YE, BN, BU	61 = 6x18 AWG GN, WH, BU, GY, YE, BN	___A Metal Clad Cable (18 AWG straight only)
31 = 3x18 AWG BK, BN, BU	66 = 6x16 AWG WH, RD, GN/YE, OG, BK, BU	___D Smooth Plug Body (16 AWG straight only)
35 = 3x16 AWG GN/YE, RD/BK, RD/WH	68 = 6x18 AWG WH, RD, GN, OG, BK, BU	
36 = 3x16 AWG GN/YE, BK, WH	686 = 6x16 AWG OG, BU, BK, WH, RD, GN/YE	
38 = 3x18 AWG GN/YE, BK, WH	76 = 7x16 AWG WH/BK, BK, WH, RD, OG, BU, GN/YE	
311 = 3x18 AWG GN/YE, RD/BK, RD/WH	86 = 8x16 AWG OG, BU, WH/BK, BK, WH, RD, GN/YE, RD/BK	
40 = 4x18 AWG BN, WH, BU, BK	96 = 9x16 AWG OG, BU, RD/BK, GN/BK,	
46 = 4x16 AWG BK, WH, RD, GN/YE		
47 = 4x16 AWG BN, WH, BU, BK		
48 = 4x18 AWG BK, WH, RD, GN/YE		
461 = 4x16 AWG BN, WH, BU, GN/YE		
50 = 5x18 AWG BK, BU, GN/YE, BN, WH		
55 = 5x16 AWG RD/WH, RD/BU, GN/YE, RD/OG, RD/BK		

Varieties
S717 = assembled with jacketed cable
/S849 = 22AWG
/S.. = consult factory, special
/CS.. = consult factory, special
W/LN = with lock nut

Connection Thread
(blank) = 1/2-14 NPSM threads
/NPT = 1/2-14 NPT threads
/14.5/NPT = 1/2-14 NPT threads (1" & 1 1/8")
/14.75/NPT = 3/4-14 NPT threads
/M20 = /M20x1.5 threads

Connection Type / Length in Meters
(blank) = solder cup
PCB = PCB pins

Field Wireable Part Number Key

Field Wireable Type
B = standard field wireable

Gender
(blank) = female
S = male

Coupling Nut Material
(blank) = nickel
V = stainless steel

Minifast Style
4 = 7/8"
7 = 1" or 1 1/8"

Housing Style
1 = straight
2 = right angle

Cable Opening
9 = PG 9 cable opening (6-8mm cable)
13.5 = PG 13.5 cable opening (10-12mm cable)
16 = PG 16 cable opening (12-14mm cable)
21 = PG 12 cable opening (9-16mm cable)

Cable Option
0 = no cable

Termination
1 = standard

Number of Pins

3 = 3	7 = 7
4 = 4	8 = 8
5 = 5	9 = 9
6 = 6	10 = 10
6B6 = 6	12 = 12

Junction Box Part Number Key

Number of Ports
4
6
8

Type of Connector / Threads
RKF = Minifast, female contact holder, female threads
RXF = Minifast, female contact holder, male threads
MBMA = Minifast overmolded junction box

Receptacle Housing Material
(blank) = nickel plated brass
V = stainless steel

Number of Ports, Wiring
30 = 3-pin, standard wiring
301 = 3-pin, series wiring
40 = 4-pin, standard wiring

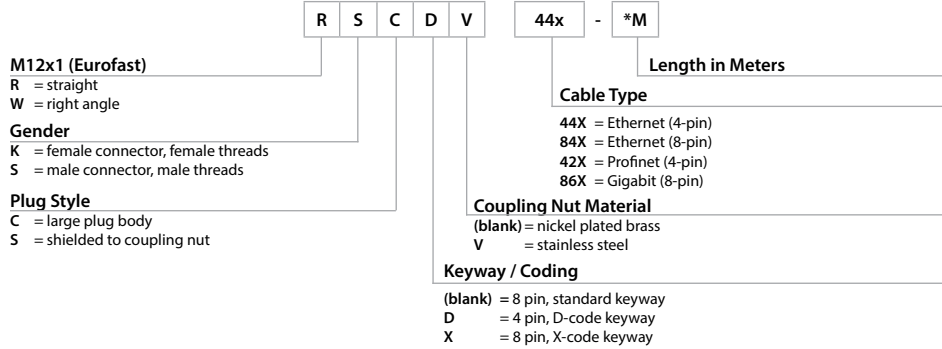
Varieties
/S.. = consult factory, customer special
/CS.. = consult factory, customer special

Cable Type (x)
*M = length of integral home run cable in meters
CS12 = Minifast connector, 12-pin (only overmolded option)
B1131 = Minifast connector, 3-pin
B1161 = Minifast connector, 6-pin
RSF70 = Minifast connector, 7-pin
RSF80 = Minifast connector, 8-pin
RSF100 = Minifast connector, 10-pin
RSF120 = Minifast connector, 12-pin

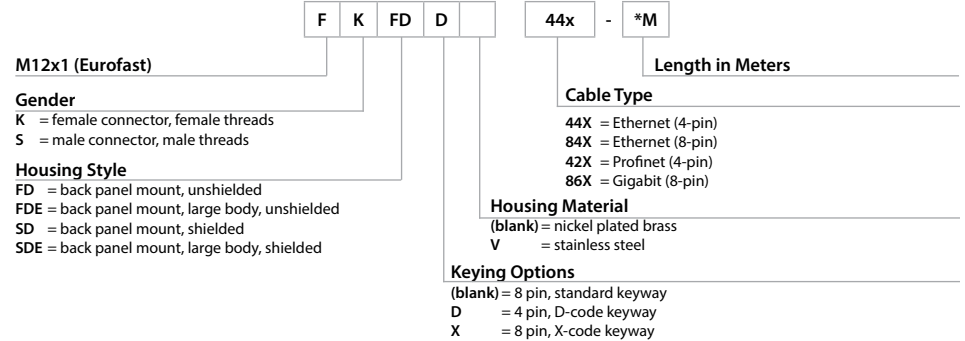
LED Options
(Blank) = No LEDs
Xn = LEDs, n = Number of LEDs

Industrial Ethernet

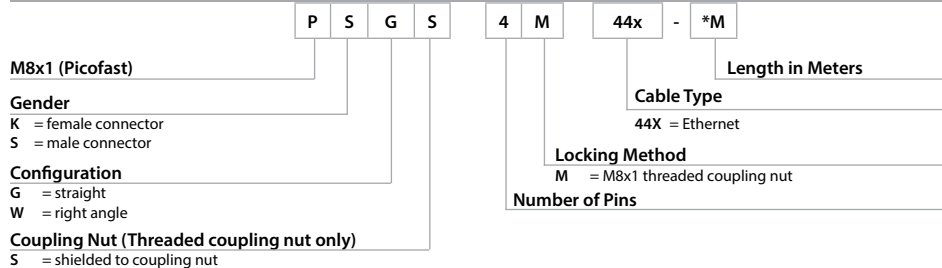
Eurofast Cordset Part Number Key



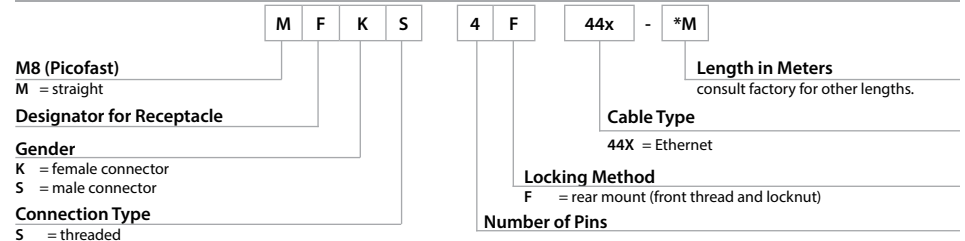
Eurofast Receptacle Part Number Key



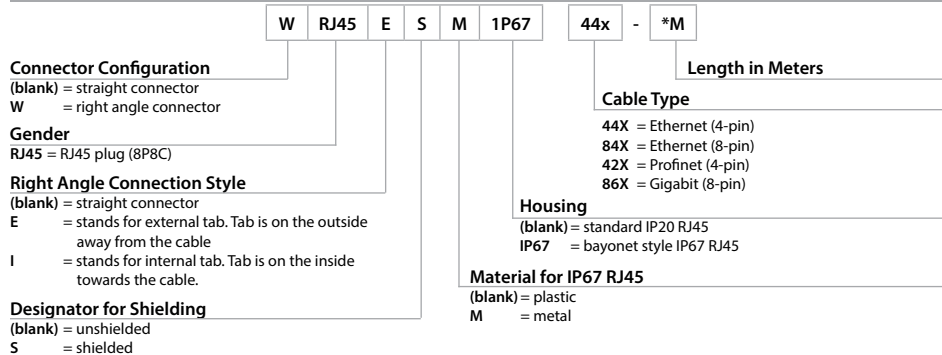
Picofast Cordset Part Number Key



Picofast Receptacle Part Number Key

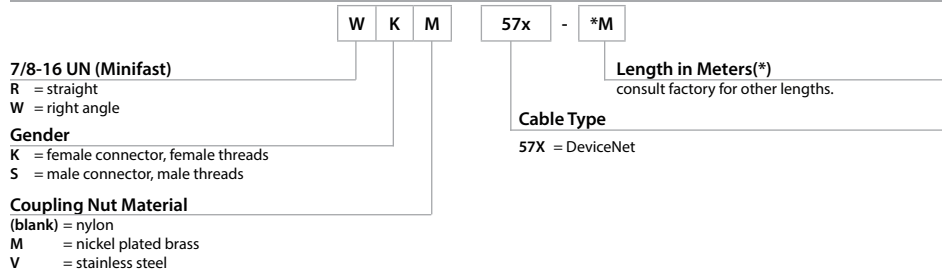


RJ45 Network Cordsets Part Number Key

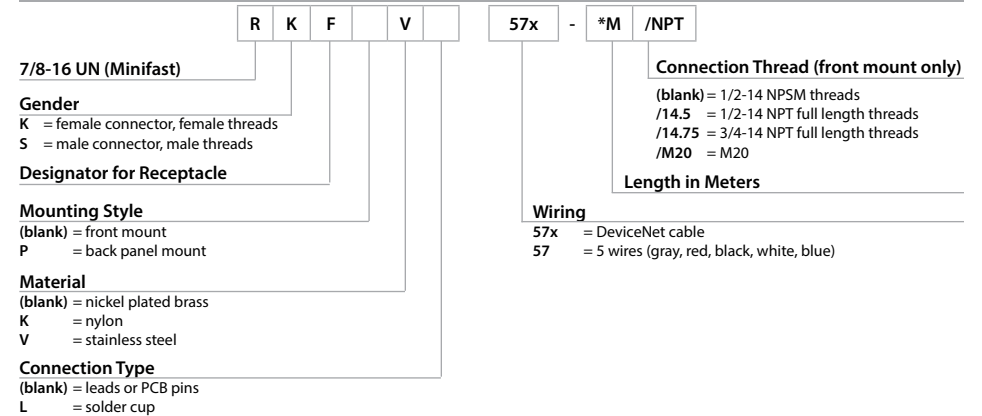


DeviceNet Physical Media Connectivity

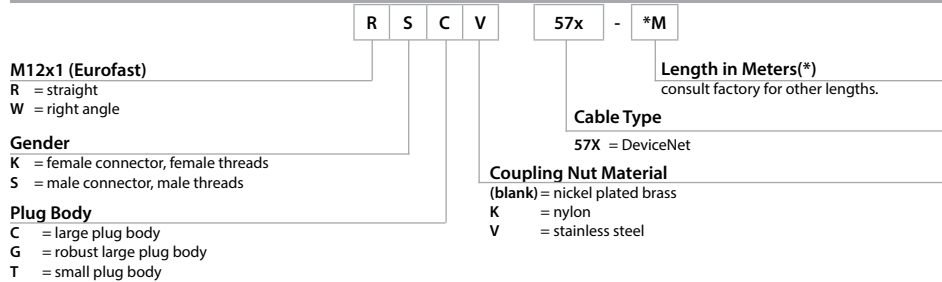
Minifast Cordset Part Number Key



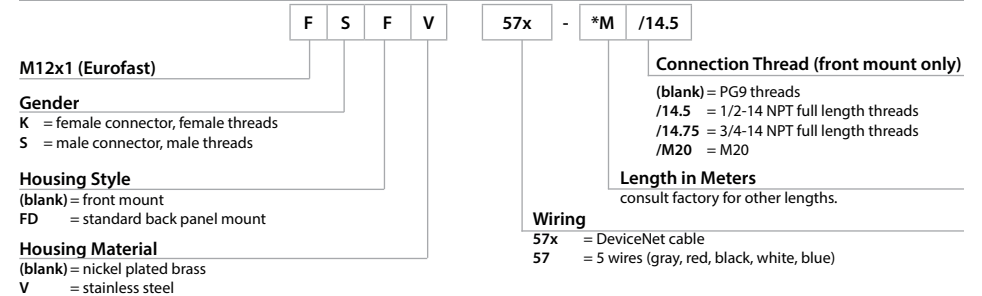
Minifast Receptacle Part Number Key



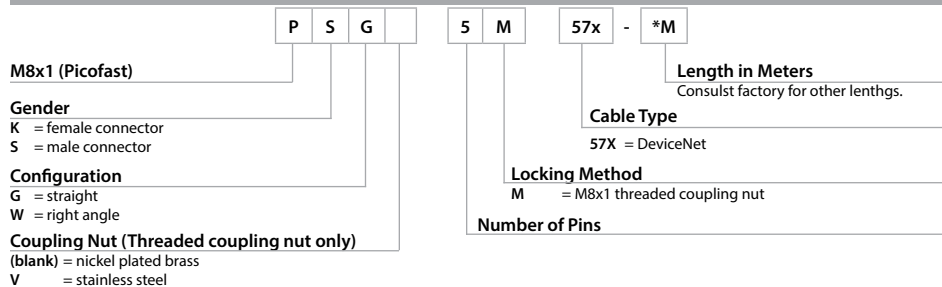
Eurofast Cordset Part Number Key



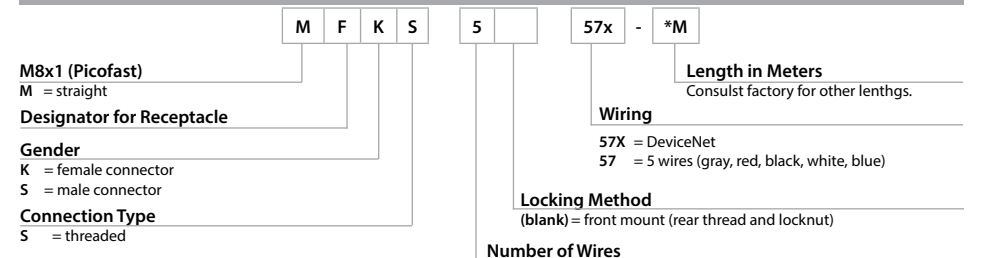
Eurofast Receptacle Part Number Key



Picofast Part Number Key

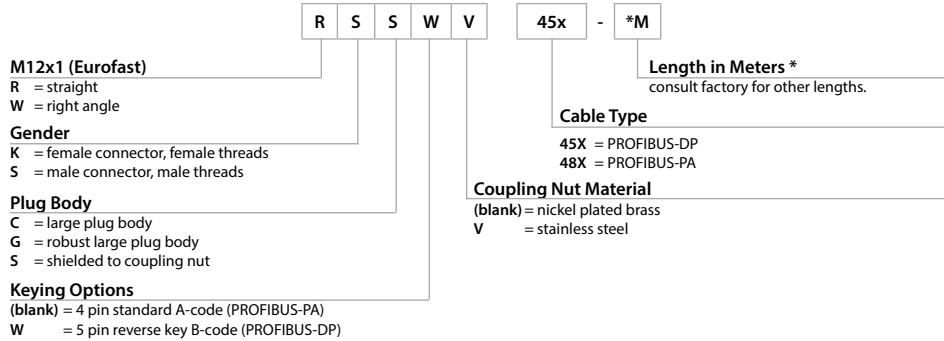


M8 Picofast Receptacle Part Number Key

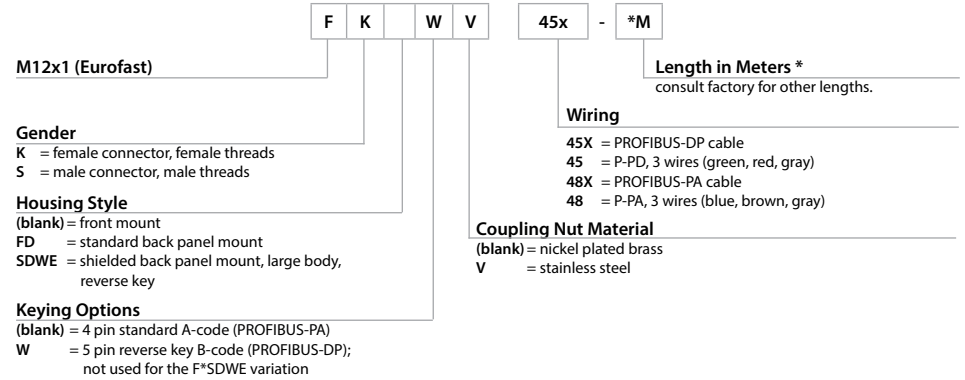


PROFIBUS - DP, -PA Physical Media Connectivity

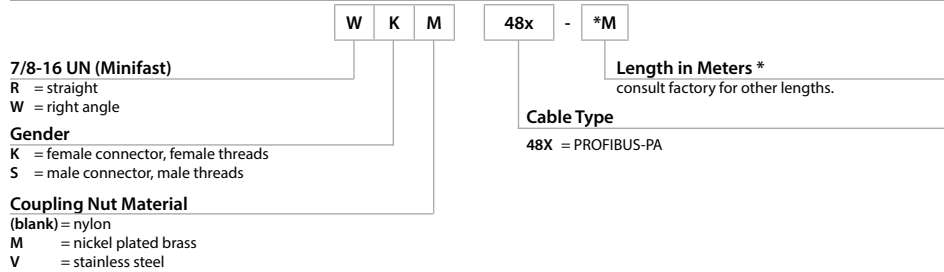
Eurofast Cordset Part Number Key



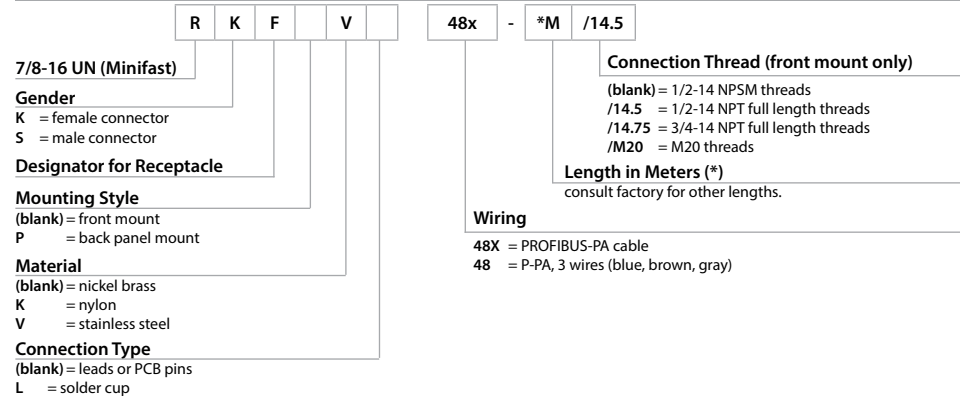
Eurofast Receptacle Part Number Key



Minifast Cordset Part Number Key

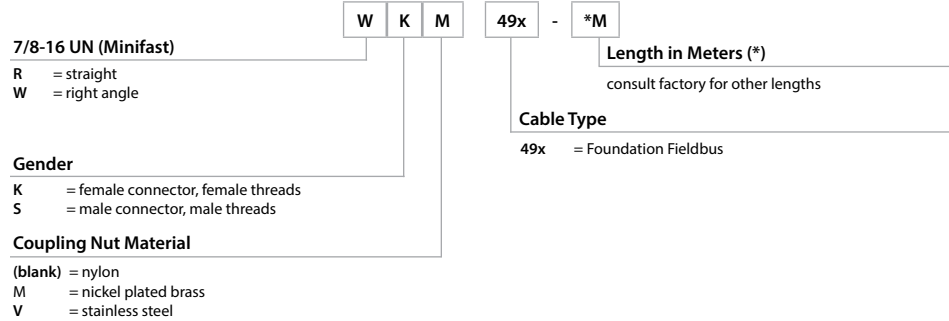


Minifast Receptacle Part Number Key

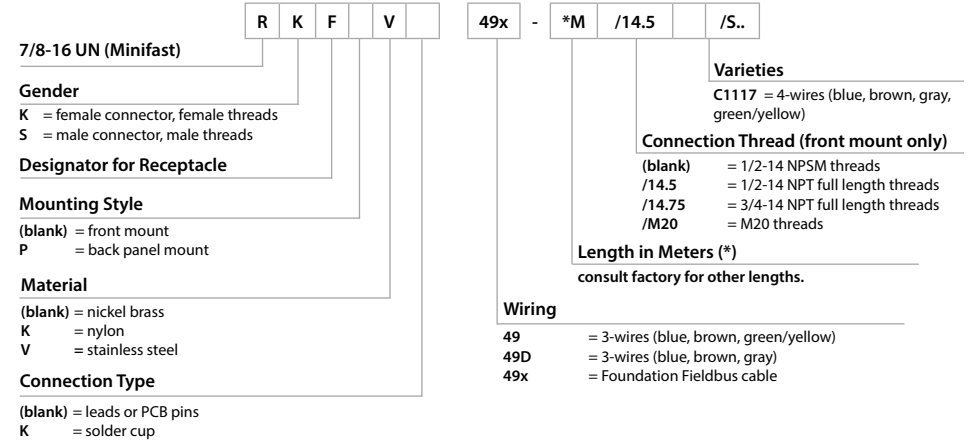


Foundation Fieldbus

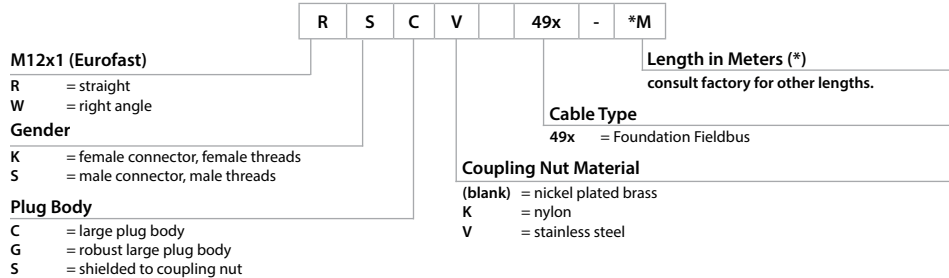
Minifast Cordset Part Number Key



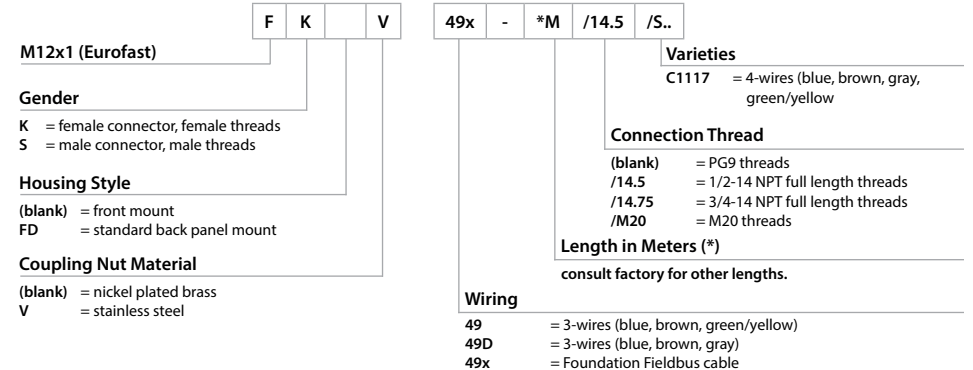
Minifast Receptacle Part Number Key



Eurofast Cordset Part Number Key



Eurofast Receptacle Part Number Key



Microfast

1/2" Microfast Cordset Part Number Key

WKB V 3 T - * /S..

1/2" Microfast Cordset
 KB = straight female connector
 WKB = right angle female connector
 SB = straight male connector
 WSB = right angle male connector

Body Style
 (blank) = standard plug body, 22 AWG
 E = large plug body, 18 AWG

Coupling Nut Material
 (blank) = nylon
 V = stainless steel
 K = nylon

Number of Wires / AWG / Color Codes
 2 = BN, BU
 3 = GN/YE, RD/BK, RD/WH
 4 = RD/BK, RD/WH, RD, GN/YE
 5 = RD/WH, RD, GN/YE, RD/YE, RD/BK
 6 = RD/WH, RD, GN/YE, RD/YE, RD/BK, RD/BU

Varieties
 (blank) = PVC jacket
 /S90 = TPU jacket
 /S90-SP = TPU coil cord
 /S105 = PVC jacket, mechanical shield (braided)
 /S1587 = TPE, Weldlife
 /S .. = consult factory, special
 /CS .. = consult factory, special

Length in Meters

Plug Options
 T = T barb fitting

1/2" Microfast Receptacle Part Number Key

F K B V 4 - * /18.25 /S..

1/2" Microfast Receptacle

Gender
 K = female connector, female threads
 S = male connector, male threads

Designator for Receptacle

Mounting Style
 (blank) = front mount
 P = back panel mount

Material
 (blank) = nickel plated brass
 V = stainless steel

Number of Wires / AWG / Color Codes
 2 = BN, BU
 3 = GN/YE, RD/BK, RD/WH
 4 = RD/BK, RD/WH, RD, GN/YE
 5 = RD/WH, RD, GN/YE, RD/YE, RD/BK
 6 = RD/WH, RD, GN/YE, RD/YE, RD/BK, RD/BU

Varieties
 /S690 = 18 AWG
 /S717 = assembled with jacketed cable
 /S .. = consult factory, special
 /CS .. = consult factory, special

Mounting Threads
 18.25 = 1/4-18 NPT
 14.5 = 1/2-14 NPSM
 14.5/NPT = 1/2-14 NPT
 M20 = m20x1.5 threads

Length in Meters

Field Wireable Part Number Key

MF S 3 2 3 1 - 0

Field Wireable Type
 MF = standard field wireable

Gender
 (blank) = female
 S = male

1/2 Microfast Field Wireable

Cable Opening
 0 = no cable

Termination
 1 = standard

Number of Pins
 3 = 3

Housing Style
 1 = straight
 2 = right angle

Junction Box Part Number Key

VBKB 40 - X5 - CS12 /S..

Microfast Junction Box

Number of Ports, Wiring
 40 = 4 port, 1 signal per port
 60 = 6 port, 1 signal per port
 80 = 8 port, 1 signal per port

Varieties
 /S.. = consult factory, customer special
 /CS.. = consult factory, customer special

Cable Type (x)
 (numbers) = length of integral home run cable in meters
 CS12 = Multifast connector, 12-pin
 B1161 = Minifast connector, 6-pin

LED Options
 (blank) = No LEDs
 Xn = LEDs, n = Number of LEDs

M16 Versafast

M16 Versafast Cordset Part Number Key

B **S** **M** **12** - **999** - ***** **/S..**

M16 versafast Cordset

Gender

K = female connector
S = male connector

Configuration

(blank) = assembled connector
M = straight molded
WM = right angle molded

Housing Material

(blank) = nickel plated brass
K = nylon
V = stainless steel

Insertion point of Extension Cable and 2nd Prefix*

* Male connector listed 1st, female connector 2nd
Example: BSM BKM 12-001 - 1

Number of Pins

5 = 5 **12** = 12
6 = 6 **14** = 14
7 = 7 **19** = 19
8 = 8

Number of Wires / AWG / Color Codes

5-Pin
084 = 5x18 AWG BN, BU, WH, BU, BK, GY
6-Pin
085 = 6x18 AWG BN, BU, WH, BU, BK, GY, PK
7-Pin
086 = 7x18 AWG WH, BN, GN, YE, GY, PK, BU
8-Pin
087 = 8x18 AWG WH, BN, GN, YE, GY, PK, BU, RD
12-Pin
967 = 12x22 AWG BN, BU, WH, GN, YE, GY, PK, RD, BK, OG, TN, VT / PVC jacket

001 = 12x22 AWG (same color code as 967) / TPU jacket
999 = 12x22 AWG (same color code as 967) / TPE jacket
14-Pin
998 = 14x22 AWG BN, RD/BU, BK, PK, GN, BU, OG, GY/BN, VT, WH, RD, GY, YE, TN / PVC jacket
002 = 14x22 AWG (same color code as 998) / TPU jacket
000 = 14x22 AWG (same color code as 998) / TPE jacket

755 = 12x24 AWG OG, BK, GN, GY, BN, TN, VT, RD, WH, YE, PK, BU / PVC jacket
836 = 10x24 AWG GY, GN, BK, BN, PK, YE, WH, RD, VT, BU / PVC jacket
19-Pin
995 = 19x22 AWG BU, GY/PK, RD/BU, WH/GN, BK, BN/GN, PK, WH/YE, GN, YE/BN, BU, OG, GY/BN, VT, WH, RD, GY, YE, TN / PVC jacket
996 = 19x22 AWG (same color code as 995) / TPU jacket

Varieties

(blank) = PVC jacket
/S90 = TPU jacket
/S101 = Flexlife [®]-20 and C-Track high flex cable
/CS.. = consult factory, special
/S.. = consult factory, special

Length in Meters

M16 Versafast Receptacle Part Number Key

B **K** **F** **D** **14** - **12** - ***** **/14.5/NPT** **/S..**

M16 versafast Receptacle

Gender

K = female receptacle
S = male receptacle

Designator for Receptacle

Housing Style

(blank) = front mount
D = rear mount

Housing Material

(blank) = nickel plated brass
V = stainless steel

Number of Pin

5 = 5 **12** = 12
6 = 6 **14** = 14
7 = 7 **19** = 19
8 = 8

Varieties

/S.. = consult factory, special
/CS.. = consult factory, special

Thread Type

/14.5/NPT = 1/2-14NPT threads
/18.375/NPT = 3/8-18NPT threads
/M20 = M20 threads
/M18 = M18 threads

Length in Meters

Number of Wires / AWG / Color Codes

5 = 5x18 AWG BN, BU, WH, BU, BK, GY
6 = 6x18 AWG BN, BU, WH, BU, BK, GY, PK
7 = 7x18 AWG WH, BN, GN, YE, GY, PK, BU
8 = 8x18 AWG WH, BN, GN, YE, GY, PK, BU, RD
12 = 12x22 AWG BN, BU, WH, GN, YE, GY, PK, RD, BK, OG, TN, VT
14 = 14x22 AWG BN, RD/BU, BK, PK, GN, BU, OG, GY/BN, VT, WH, RD, GY, YE, TN
19 = 9x22 AWG BN, GY/PK, RD/BU, WH/GN, BK, BN/GN, PK, WH/YE, GN, YE/BN, BU, OG, GY/BN, VT, WH, RD, GY, YE, TN

PCB = PCB Pins

Field Wireable Part Number Key

B **S** **12** - **0**

Configuration

(blank) = straight
W = right angle

M16 Versafast Field Wireable

Gender

K = female receptacle
S = male receptacle

Shielding

S = shielded to coupling nut

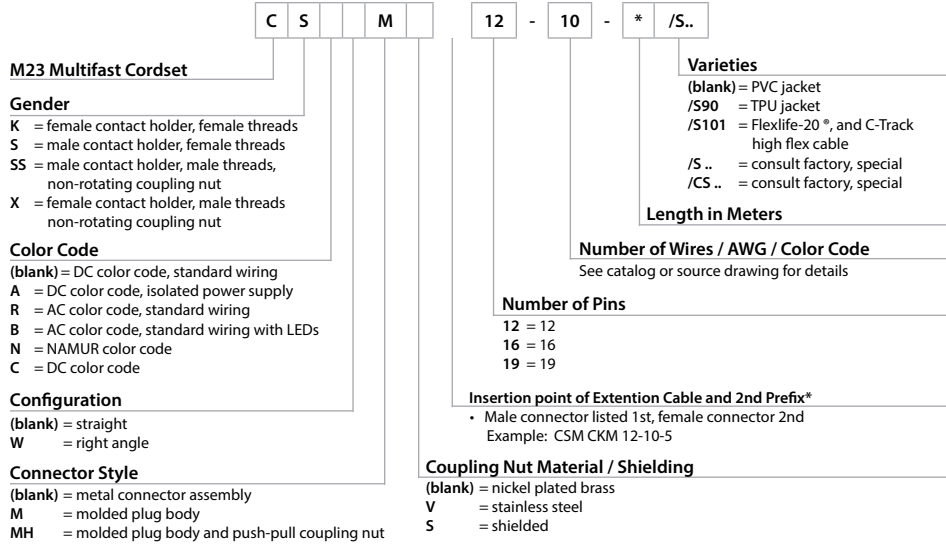
Field Wireable Designation

Number of Pins

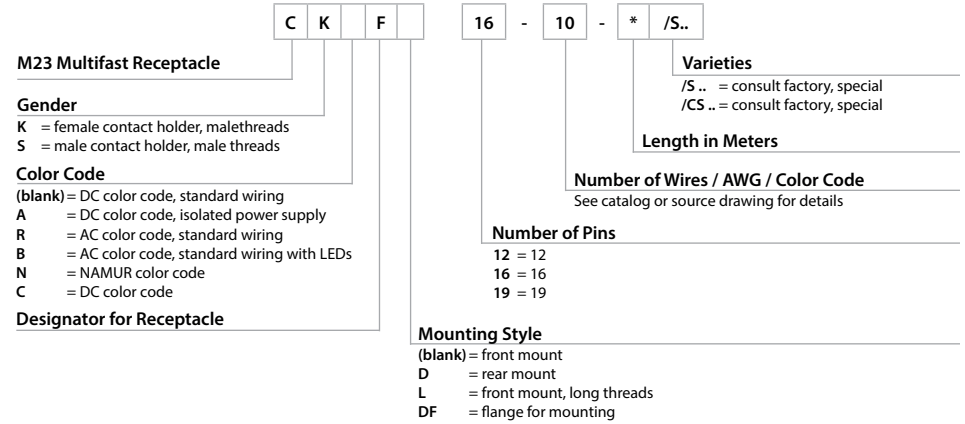
5 = 5 **12** = 12
6 = 6 **14** = 14
7 = 7 **19** = 19
8 = 8

M23 Multifast

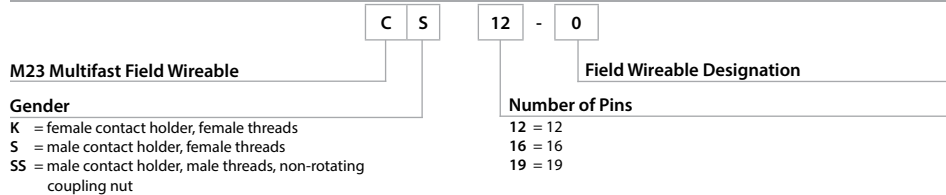
M23 Multifast Cordset Part Number Key



M23 Multifast Receptacle Part Number Key

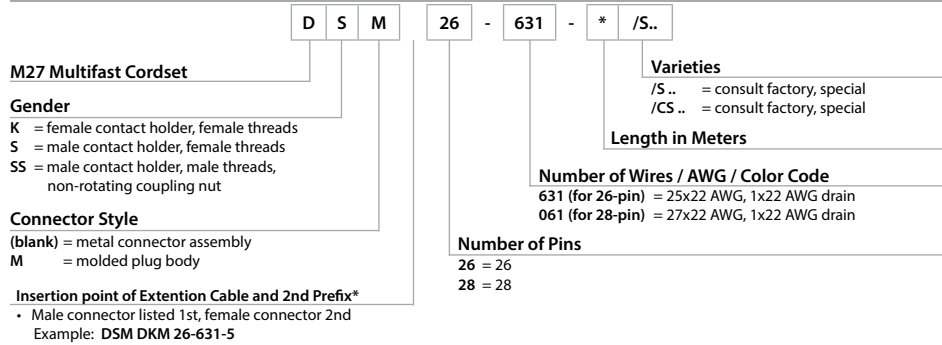


Field Wireable Part Number Key

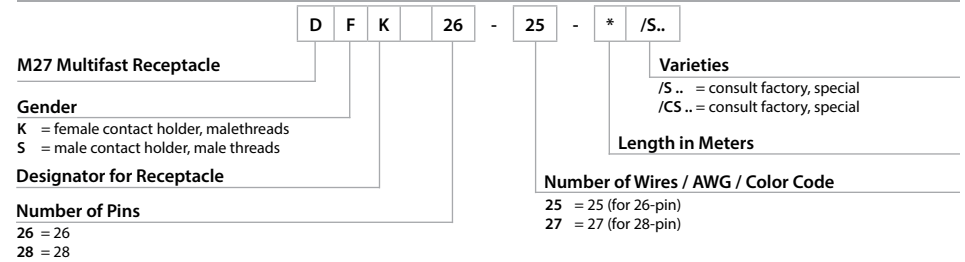


M27 Multifast

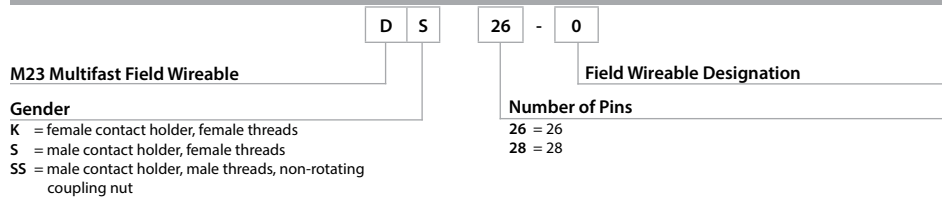
M27 Multifast Cordset Part Number Key



M27 Multifast Receptacle Part Number Key



Field Wireable Part Number Key



Minifast Process Automation

Minifast Cordset Part Number, 2-Wire Analog or HART Control Circuits

P - **R** **S** **V** **R** **K** **V** **40-330** - **2M**

P= Process Cordset

7/8", 1" & 1 1/8" Minifast Cordset
R = straight
W = right angle

Gender
K = female connector and threads
S = male connector and threads

Coupling Nut Material
M = nickel plated brass
V = 316 stainless steel

Body
(blank) = standard
B = large body, A-size armor

Insertion Point of Extension Cable Second Prefix*
 *Male connector listed first, female connector second
 Example: P-RSV RKV 40-330-2M

Length in Meters

Number of Wires/AWG/Color Codes/Cable Type
40-1188XL = 3x18 AWG, BU, BN, GN/YE, ITC-ER/PLTC-ER, Extremelife-60 (black)
40-330 = 3x18 AWG, BU, BN, GN/YE, ITC-ER/PLTC-ER, DIR BUR, PVC (black)
40A-952 = 3x18 AWG, BU, BN, GN/YE, ITC-ER/PLTC-ER, DIR BUR, Armor, PVC (black)
66-2176XL = 5x18 AWG, BU, BN, GN/YE, WH, BK, ITC-ER/PLTC-ER, DIR BUR, Extremelife-60 (black)
66-494 = 5x18 AWG, BU, BN, GN/YE, WH, BK, ITC-ER/PLTC-ER, DIR BUR, PVC (black)
66A-1802 = 5x18 AWG, BU, BN, GN/YE, WH, BK, ITC-ER/PLTC-ER, DIR BUR, Armor, PVC (black)
101-1189XL = 9x18 AWG, WH/BK, BK/WH, WH/GN, GN/WH, WH/RD, RD/WH, GN/YE, WH/OG, OG/WH, ITC-ER/PLTC-ER, DIR BUR, Extremelife-60 (black)
101-489 = 9x18 AWG, WH/BK, BK/WH, WH/GN, GN/WH, WH/RD, RD/WH, GN/YE, WH/OG, OG/WH, ITC-ER/PLTC-ER, DIR BUR, PVC (black)
101A-417 = 9x18 AWG, WH/BK, BK/WH, WH/GN, GN/WH, WH/RD, RD/WH, GN/YE, WH/OG, OG/WH, ITC/PLTC, Armor, PVC (black)
190-1484XL = 16x22 AWG-1x18 AWG, WH/BK, BK/WH, WH/GN, GN/WH, WH/RD, RD/WH, WH/OG, OG/WH, WH/BU, GN/YE BU/WH, WH/BN, BN/WH, WH/YE, YE/WH, WH/VT, VT/WH, ITC-ER/PLTC-ER, DIR BUR, Extremelife-60 (black)

Minifast Receptacle with Leads Part Number, 2-Wire Analog or HART Control Circuits

P - **R** **K** **F** **V** **40** **EX** - **0.5** - **/14.5/NPT**

P= Process Receptacle

7/8", 1" & 1 1/8" Minifast Receptacle

Gender
K = female connector
S = male connector

Designator for Receptacle

Housing Material
(blank) = nickel plated brass
V = stainless steel

Thread Type
(blank) = 1/2-14NPSM
/14.5/NPT = 1/2-14 NPT Threads
/14.75/NPT = 3/4-14 NPT Threads
/M20 = M20 x 1.5 Threads

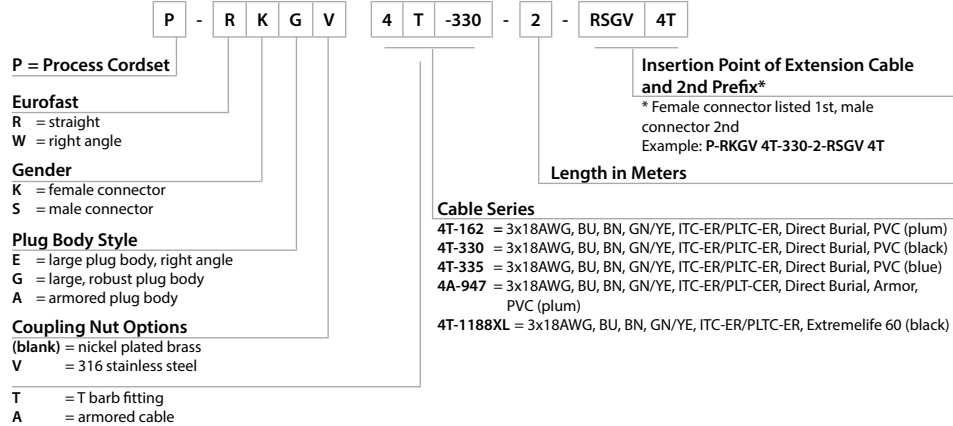
Length in Meters

Receptacle Type
(blank) = nonincendive
EX = explosion-proof feedthru

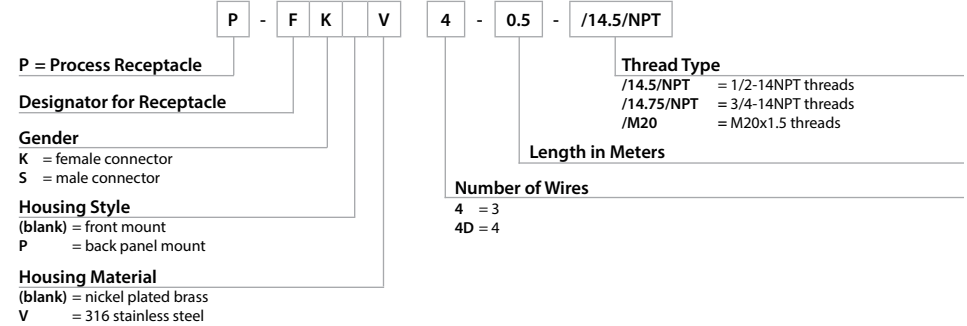
Number of Wires/AWG
40 = 3
40D = 4
66 = 5
66D = 6
101 = 10
190 = 18

M12 Process Automation

M12 Eurofast Cordset Part Number Key, 2-Wire Analog or HART Control Circuits

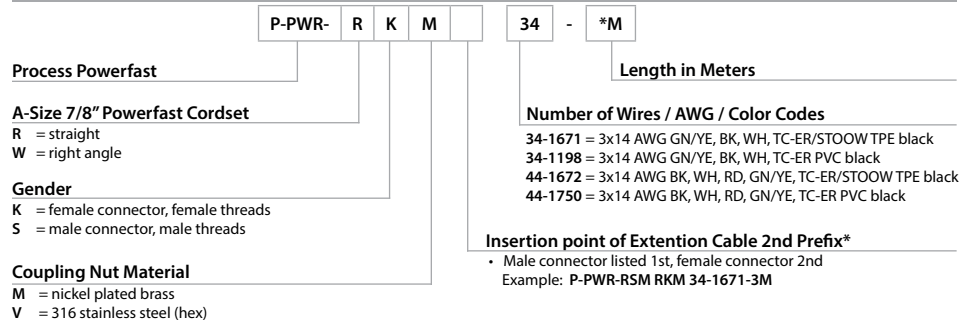


M12 Eurofast Receptacle with Leads Part Number Key, 2-Wire Analog or HART Control Circuits

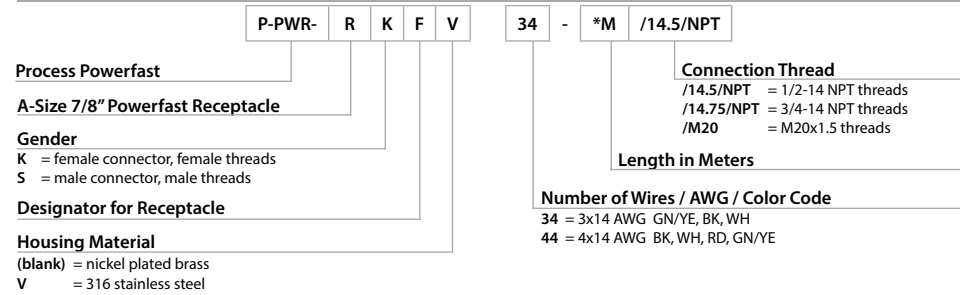


A-Size 7/8" Powerfast Process Automation

A-Size 7/8" Powerfast Cordset Part Number Key

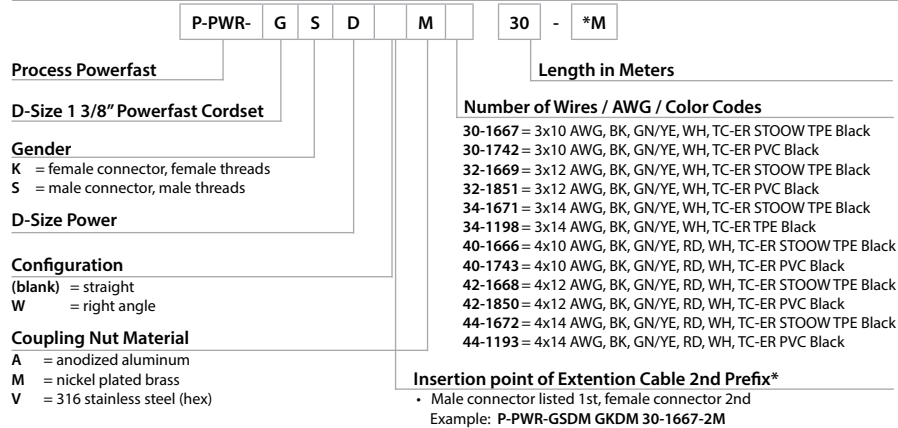


A-Size 7/8" Powerfast Receptacle Part Number Key

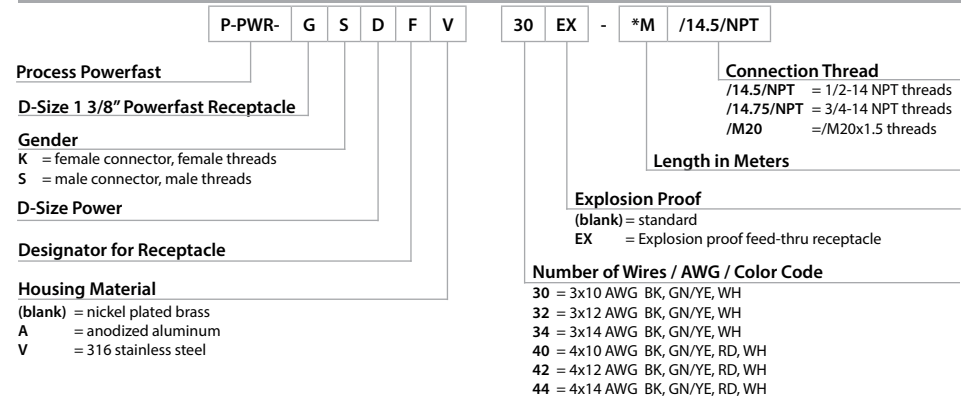


D-Size 1 3/8" Powerfast Process Automation

D-Size 1 3/8" Powerfast Cordset Part Number Key



D-Size 1 3/8" Powerfast Receptacle Part Number Key



Valve

Valve Cordset Part Number Key

V A S 22 - F 653 - *M /S..

DIN 43650 Valve Cordset

- T = cable exit on ground side
- V = cable exit opposite ground side
- H = cable exit opposite ground side on top of plug

Housing Style

- A = Type "A" 18 mm contact spacing
- B = Type "B" 10 mm contact spacing
- I = Type "I" 11 mm contact spacing
- C8 = Type "C" 8 mm contact spacing
- C9 = Type "C" 9.4 mm contact spacing

Housing Color

- G = translucent grey
- S = translucent black
- Y = translucent yellow
- (blank) = clear

Pinout

- 2 = 2 conductors, 1 ground
- 21 = 2 conductors, ground not connected
- 22 = 2 conductors, 1 ground, ground contacts parallel wired
- 3 = 3 conductors, 1 ground
- 4 = 3 conductors, 1 ground, additional wire for dual

Varieties

- /S .. = consult factory, special
- /S810 = Longer mounting screw

Insertion point of Extension Cable 2nd Prefix*

- *Valve connector listed 1st, other connector 2nd
- Example: VAS 22 - F653 - 1M - RS 5.3T

Connection Type, Length in Meters

- F5 5.3 = integrated M12 Eurofast connector
- V1131 = integrated M8 Picofast connector

Number of Wires / AWG / Color Codes

- | | |
|-------------------------------|------------------------------------|
| W = field wireable connector | 654 = 3x18 AWG BN, BK, BU |
| 544 = 4x18 AWG BN, WH, BK, BU | 658 = 3x18 AWG RD/WH, RD/BK, GE |
| 587 = 3x24 AWG BN, BK, BU | 669 = 3x18 AWG BK, BK, GN/YE |
| 580 = 4x18 AWG BN, WH, BK, BU | 003 = 2x20 AWG BN, BU |
| 642 = 3x24 AWG BN, BK, BU | 957 = 3x18 AWG RD/WH, RD/BK, GN/YE |
| 653 = 3x18 AWG BK, BK, GN/YE | YE |

Wiring

- | | | | | |
|---|--------------------------|--------------------|-----|--------|
| A = straight through | 0-220VAC/DC | N = yellow LED | 110 | VAC/DC |
| B = yellow LED | 24-48VAC/DC | P = yellow LED/MOV | 24 | VAC/DC |
| C = yellow LED | 110-220VAC/DC | | | |
| D = yellow LED/MOV | 24-48VAC/DC | | | |
| E = yellow LED/MOV | 110-220 VAC/DC | | | |
| F = yellow LED/Diode | 24-48 VDC | | | |
| L = yellow LED | 24 VAC/DC | | | |
| M = yellow LED | 48 VAC/DC | | | |
| K = two color LED for change over to switch | 24 VDC | | | |
| red | = switch open position | | | |
| green | = switch closed position | | | |

Deutsch

Deutsch Cordset Part Number Key



Series Prefix

Gender

04 = male

06 = female

Number of Contacts

2 6

3 8

4 12

Contact Hype

P = pins

S = sockets

Keyway Position

(blank) = not applicable

A

B

C

D

Insertion Point of Extension Table

Example: DT06-2S-2125-2M-DT04-2P

Length in Meters

4 Digit Cable Identifier

A-Size 7/8" Powerfast

A-Size 7/8" Powerfast Cordset Part Number Key

R K M 34 - *M /S..

A-Size 7/8" Powerfast Cordset

R = straight
W = right angle

Gender

K = female connector, female threads
S = male connector, male threads
Y = male connector, female threads

Coupling Nut Material / Shielding

(blank) = nylon
M = nickel plated brass
V = 316 stainless steel (hex)

Varieties

(blank) = TC-ER STOOV PVC cable jacket
/S4000 = TC-ER cable jacket
/S.. = consult factory, special
/CS.. = consult factory, special

Length in Meters

Keyway

(blank) = standard
P = alternate

Number of Wires / AWG / Color Codes

34 = 3x14 AWG GN/YE, BK, WH
44 = 4x14 AWG BK, WH, RD, GN/YE

Insertion point of Extention Cable 2nd Prefix*

- Male connector listed 1st, female connector 2nd

Example: [BSM.RKM.44-2M](#)

A-Size 7/8" Powerfast Receptacle Part Number Key

R K F V 34 - *M /NPT /S..

A-Size 7/8" Powerfast Receptacle

Gender

K = female connector, female threads
S = male connector, male threads
X = female connector, male threads

Designator for Receptacle

Housing Material

(blank) = nickel plated brass
K = nylon
V = 316 stainless steel

Varieties

/S = consult factory, special
/CS = consult factory, special
W/LN = with locknut

Connection Thread

/14/75/NPT = 3/4-14 NPT threads
/NPT = 1/2-14 NPT threads
/M20 = /M20x1.5 threads

Length in Meters

Keyway

(blank) = standard
P = alternate

Number of Wires / AWG / Color Code

34 = 3x14 AWG GN/YE, BK, WH
44 = 4x14 AWG BK, WH, RD, GN/YE

C-Size Powerfast

C-Size Powerfast Cordset Part Number Key



Connector Geometry

R = straight
W = right angle

Gender

K = female
S = male

Coupling Nut Material

M = nickel plated brass
V = stainless steel

C-Size 1 1/8" Powerfast Cordset

Shielding

(blank) = no shield to coupling nut
S = shielded to coupling nut

Insertion Point of Extension Cable Second Prefix*

*Male connector listed first, female connector second
Example: RSMC RKMC 42-2M/S4000



Varieties

/S.. = consult factory, special
/CS.. = consult factory, special
/VFD = VFD compatible
/S4000 = TC-ER without
STOOW approval

Length in Meters

Number of Wires/AWG

42 = 4x12 AWG

C-Size Powerfast Receptacle Part Number Key



1 1/8" Powerfast Receptacle

Gender

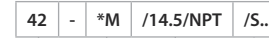
K = female
S = male

C-Size 1 1/8" Powerfast Receptacle

Housing Material

(blank) = nickel plated brass
V = stainless steel

C-Size 1 1/8" Powerfast Receptacle



Varieties

/S.. = consult factory, special
/CS.. = consult factory, special

Thread Type

/14.5/NPT = 1/2-14 NPT Threads
/14.75/NPT = 3/4-14 NPT Threads
/M20 = M20 x 1.5 Threads

Length in Meters

Number of Wires/AWG

42 = 4x12 AWG

D-Size Powerfast

D-Size 1 3/8" Powerfast Cordset

30 - *M

Varieties
 (blank) = TC-ER STOOW TPE cable jacket
 /S4000 = TC-ER PVC cable jacket

Length in Meters

Number of Wires/AWG
 30 = 3x10 AWG BK, GN/YE, WH
 32 = 3x12 AWG BK, GN/YE, WH
 34 = 3x14 AWG BK, GN/YE, WH
 40 = 4x10 AWG BK, GN/YE, RD, WH
 42 = 4x12 AWG BK, GN/YE, RD, WH
 44 = 4x14 AWG BK, GN/YE, RD, WH

Insertion Point of Extension Cable Second Prefix*
 *Male connector listed first, female connector second
 Example: GSDM GKDM 40-2M

D-Size 1 3/8" Powerfast Cordset

Gender
 K = female connector, female threads
 S = male connector, male threads

D-Size Power

Configuration
 (blank) = straight
 W = right angle

Coupling Nut Material
 A = anodized aluminum
 M = nickel plated brass
 V = 316 stainless steel

D-Size 1 3/8" Powerfast Receptacle Part Number Key

30 - *M /14.5/NPT

Thread Type
 /14.5/NPT = 1/2-14 NPT Threads
 /14.75/NPT = 3/4-14 NPT Threads
 /M20 = M20 x 1.5 Threads

Length in Meters

Number of Wires/AWG
 30 = 3x10 AWG BK, GN/YE, WH
 32 = 3x12 AWG BK, GN/YE, WH
 34 = 3x14 AWG BK, GN/YE, WH
 40 = 4x10 AWG BK, GN/YE, RD, WH
 42 = 4x12 AWG BK, GN/YE, RD, WH
 44 = 4x14 AWG BK, GN/YE, RD, WH

D-Size1 3/8" Powerfast Receptacle

Gender
 K = female
 S = male

D-Size Power

Designator for Receptacle

Housing Material
 (blank) = nickel plated brass
 A = anodized aluminum
 V = stainless steel

D-Size 1 3/8" Powerfast Tee Part Number Key

30 - * - /S..

Varieties
 /S = consult factory, special
 /CS = consult factory, special
 /S4000 = TC-ER PVC cable jacket

Length in Meters

Number of Wires/AWG
 30 = 3x10 AWG BK, GN/YE, WH
 32 = 3x12 AWG BK, GN/YE, WH
 34 = 3x14 AWG BK, GN/YE, WH
 40 = 4x10 AWG BK, GN/YE, RD, WH
 42 = 4x12 AWG BK, GN/YE, RD, WH
 44 = 4x14 AWG BK, GN/YE, RD, WH

D-Size 1 3/8" Powerfast Tees

Trunk(1) Identifier
 K = female connector, female threads
 S = male connector, male threads

Coupling Nut Material
 A = anodized aluminum
 M = nickel plated brass
 V = 316 stainless steel

D-Size 1 3/8" Powerfast Tees

Trunk(2) and Drop(3) Identifiers
 2GKDM = female trunk(2) and female drop(3)
 GDSM/GKDM = male trunk(2) and female drop(3)
 GKDM/T = female trunk(2) and cable drop(3)
 GKDM/RKM = female trunk(2) and female A-Size Power drop(3)
 GKDM/BKM = female trunk(2) and female M16 Power drop(3)

Note: Only one male connector per tee available. Standard female coupling nut material for A-Size Power drop and M16 Power drop is nickel plated brass.

M16 Powerfast

M16 Powerfast Cordset Part Number Key

M16 (16 mm) Powerfast Cordset

Gender
 K = female connector
 S = male connector

Configuration
 M = straight
 WM = right angle

Shielding
 (blank) = not shielded to coupling nut
 S = shielded to coupling nut

Coupling Nut Material
 (blank) = nickel plated brass
 K = nylon
 V = 316 stainless steel
 S = shielded

Part Number Key: B S M [] [] 34-198 - * /S..

Varieties
 /S = consult factory, special
 /CS = consult factory, special
 /VFD = VFD compatible

Length in Meters

Number of Wires / AWG / Color Code
 22-380 = 2x12 AWG WH, BK
 34-198 = 3x14 AWG WH, GN/YE, BK
 44-193 = 4x14 AWG WH, GN/YE, BK, RD
 22-1759 = 2x12 AWG WH, BK (shielded)
 34-1364 = 3x14 AWG WH, GN/YE, BK (shielded)
 44-1363 = 4x14 AWG WH, GN/YE, BK, RD (shielded)
 44-2188 = 4x14 AWG WH, GN/YE, BK, RD (shielded, VFD)

Insertion point of Extension Cable and 2nd Prefix*
 • Male connector listed 1st, female connector 2nd
 Example: **BSM BKM 34-198***

M16 Powerfast Tee Part Number Key

M16 (16 mm) Powerfast

Trunk (1) Identifier
 K = female receptacle
 S = male receptacle

Configuration
 M = straight

Coupling Nut Material
 (blank) = nickel plated brass
 K = nylon
 V = 316 stainless steel

Trunk (2) and Drop (3) Identifiers
 2BKM = female trunk(2) and female drop(3)
 BSM/BKM = male trunk(2) and female drop(3)
 BKM/T = female trunk(2) and cable drop(3)

Part Number Key: B S M [] - 2BKM 34 - 198 - * - /S..

Varieties
 /S = consult factory, special
 /CS = consult factory, special

Length in Meters
 (blank) = connector only
 * = drop cable
 // = trunk(1) cable / trunk(2) cable / drop(3) cable

AWG / Color Code
 (blank) = connector only
 380 = 2x14 AWG WH, BK
 198 = 3x14 AWG WH, GN/YE, BK, RD
 193 = 4x14 AWG WH, GN/YE, BK, RD

Number of Pins
 22 = 2
 34 = 3
 44 = 4

M16 Powerfast Receptacle Part Number Key

M16 (16 mm) Powerfast Receptacle

Gender
 K = female contact holder, female threads
 S = male contact holder, female threads

Designator for Receptacle

Housing Style
 (blank) = front mount
 D = rear mount

Housing Material
 (blank) = nickel plated brass
 V = 316 stainless steel

Part Number Key: B K F [] [] 22 - * /14.5/NPT

Thread Type
 /14.5/NPT = 1/2-14NPT threads
 /M20 = M20 threads
 /M18 = M18 threads

Length in Meters

Number of Wires / AWG / Color Code
 22 = 2x12 AWG WH, BK
 34 = 3x14 AWG WH, GN/YE, BK
 44 = 4x14 AWG WH, GN/YE, BK, RD

M16 Powerfast H/h Style Tee Part Number Key

H/h Style
 BH = big H
 SH = small h

M16 (16 mm) Powerfast

Trunk (1) Identifier
 K = female connector
 S = male connector

Configuration
 M = straight

Coupling Nut Material
 (blank) = nickel plated brass
 K = nylon
 V = 316 stainless steel

Trunk (2) and Drop (3&4) Identifiers
 2BKM = female trunk(2) and female drop(3) (h)
 BSM/BKM = male trunk(2) and female drop(3) (h)
 BKM/T = female trunk(2) and cable drop (3) (h)
 3BKM = female trunk(2) and female drops(3&4) (H)
 BSM/2BKM = male trunk(2) and female drops(3&4) (H)

Part Number Key: BH - B S M [] / 2BKM 34 - 198 - * - /S..

Varieties
 /S.. = consult factory, special
 /CS.. = consult factory, special

Length in Meters
 (blank) = connector only
 * = drop cable
 // = trunk(1) cable / trunk(2) cable / drop(3) cable
 //*/ = trunk(1) cable / trunk(2) cable / drop(3) cable / drop(4) cable

AWG / Color Code
 (blank) = connector only
 380 = 2x12 AWG, WH, BK
 198 = 3x14 AWG, WH, GN/YE, BK
 193 = 4x14 AWG, WH, GN/YE, BK, RD

Number of Pins
 22 = 2
 34 = 3
 44 = 4

M23 Powerfast

M23 Powerfast Cordset Part Number Key

C	K	M	64-078	-	*	/S..
---	---	---	--------	---	---	------

M (23 mm) Powerfast Receptacle

Gender
 K = female contact holder, female threads
 S = male contact holder, female threads
 SS = male contact holder, male threads

Configuration
 M = straight
 WM = right angle
 (blank) = straight assembled connector

Coupling Nut Material / Shielding
 (blank) = nickel plated brass
 V = stainless steel
 S = shielded

Varieties
 (blank) = PVC jacket
 /S90 = PUR jacket

Length in Meters

Number of Wires / AWG / Color Code

64-078	= 6x14 AWG	WH, RD, GN/YE, OG, BK, BU
74-079	= 7x14 AWG	WH/BK, BK, WH, RD, OG, BU, GN/YE
94-080	= 3x14 & 6X18 AWG	RD, WH, WH/BK, BU, OG, BK, GN/BK, GN/YE, RD/BK
622-059	= 6x12 AWG	BU, RD, GN/YE, BN, OG, YE
822-287	= 4x12 & 4X18 AWG	BU, GN/YE, WH, BK, OG, RD, WH/BK, RD/BK
622-286	= 6x12 AWG	BU, RD, GN/YE, BN, OG, YE
822-288	= 4x12 & 4X18 AWG	BU, GN/YE, WH, BK, OG, RD, WH/BK, RD/BK

Insertion point of Extention Cable and 2nd Prefix*

- Male connector listed 1st, female connector 2nd

Example: [CSMCKM64-078-1](#)

M23 Powerfast Receptacle Number Key

C	K	F				64-6	-	*
---	---	---	--	--	--	------	---	---

M (23 mm) Powerfast Receptacle

Gender
 K = female contact holder, male threads
 S = male contact holder, male threads

Designator for Receptacle

Mounting Style
 (blank) = front mount
 D = rear mount
 F = flange
 MF = flange, rotating coupling nut
 L = front mount, long threads

Length in Meters

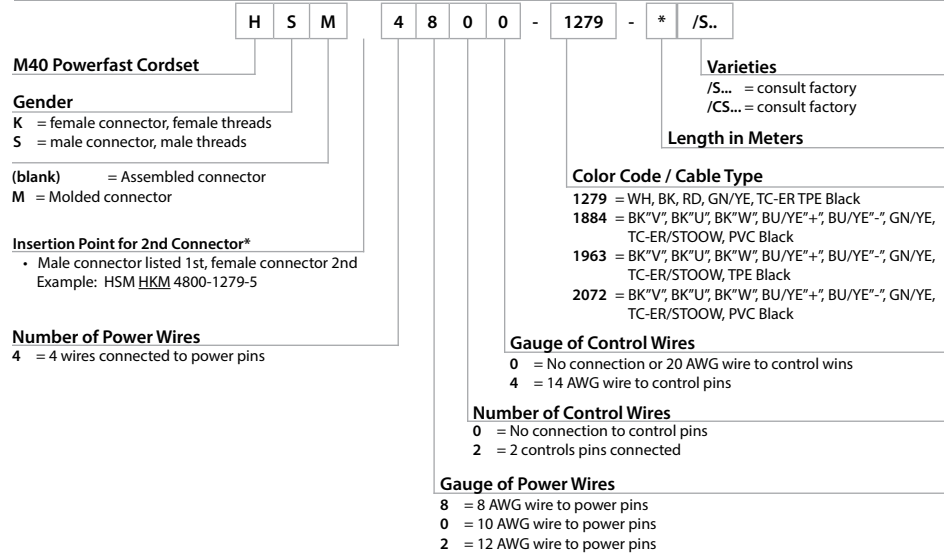
Number of Wires / AWG / Color Code

64-6	= 6x14 AWG	WH, RD, GN/YE, OG, BK, BU
74-7	= 7x14 AWG	WH/BK, BK, WH, RD, OG, BU, GN/YE
94-9	= 3x14 & 6X18 AWG	RD, WH, WH/BK, BU, OG, BK, GN/BK, GN/YE, RD/BK
622-6	= 6x12 AWG	BU, RD, GN/YE, BN, OG, YE
822-8	= 4x12 & 4X18 AWG	BU, GN/YE, WH, BK, OG, RD, WH/BK, RD/BK

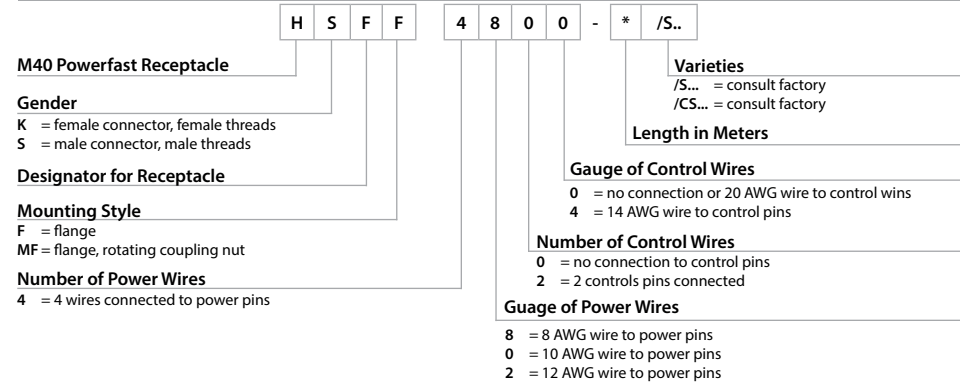
Housing Material
 (blank) = nickel plated brass
 V = stainless steel

M40 Powerfast

M40 Powerfast Cordset Part Number Key



M40 Powerfast Receptacle Part Number Key



TURCK

Over 30 subsidiaries and
60 representatives worldwide!